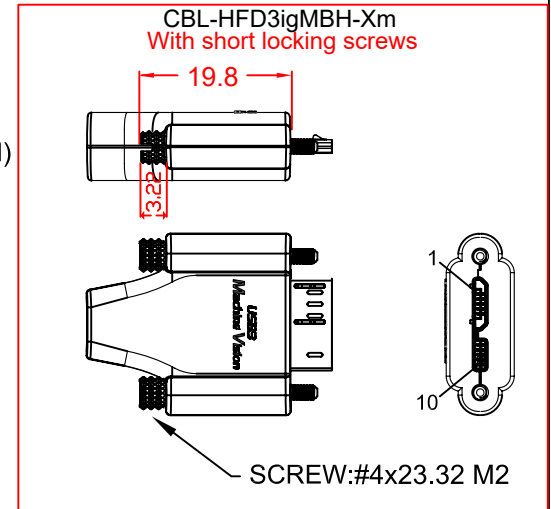
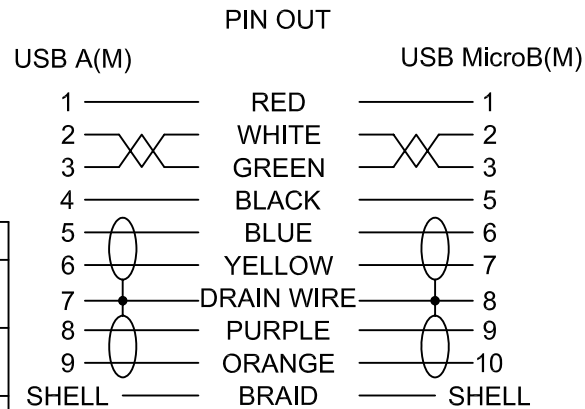


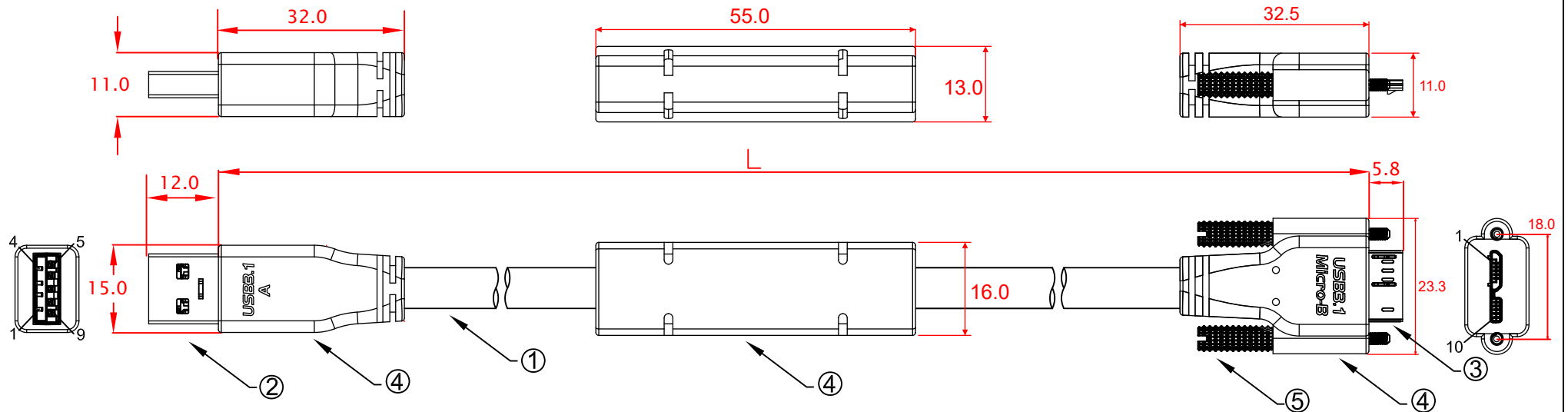
L:
 CBL-HFD3igMBS-4m 4000mm±30mm
 CBL-HFD3igMBS-5m 5000mm±30mm
 CBL-HFD3igMBS-6m 6000mm±30mm



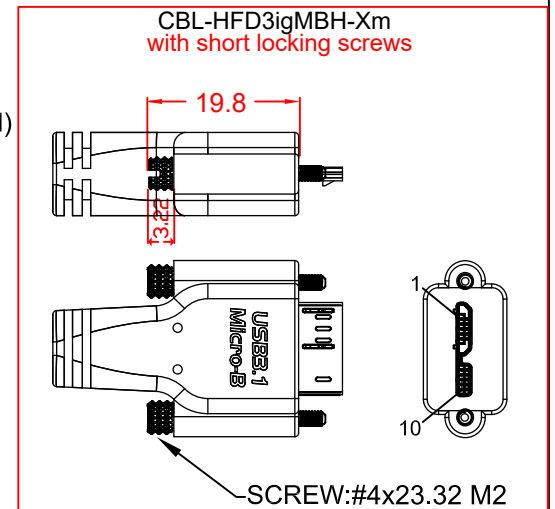
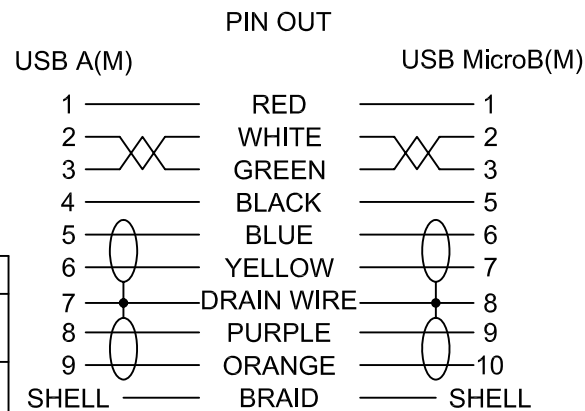
No	MATERIALS LIST:
1.	CABLE:UL20276 (2x(2x28AWG)+2x(2x28AWG)C) OD:7.0mm PUR JACKET COLOR:RED LILAC
2.	CONNECTOR:USB 3.0 A/M, 9P, BLUE INSULATOR SOLDER TYPE, NICKEL PLATED SHELL
3.	CONNECTOR:USB 3.0 MicroB/M, 10P, BLACK INSULATOR SOLDER TYPE, NICKEL PLATED SHELL
4.	ABS ASSEMBLY HOUSING, BLACK COLOR
5.	SCREW:#4x33 M2
6.	

Jargy part no.	Client part no.	Approved	SCALE	UNIT
CBL-HFD3igMBS-xm				mm
Drawing Name		Drawn	Date	REV.
USB 3.0 A to MicroB Cable M/M				1.0

Mobile Computing **JARGY**

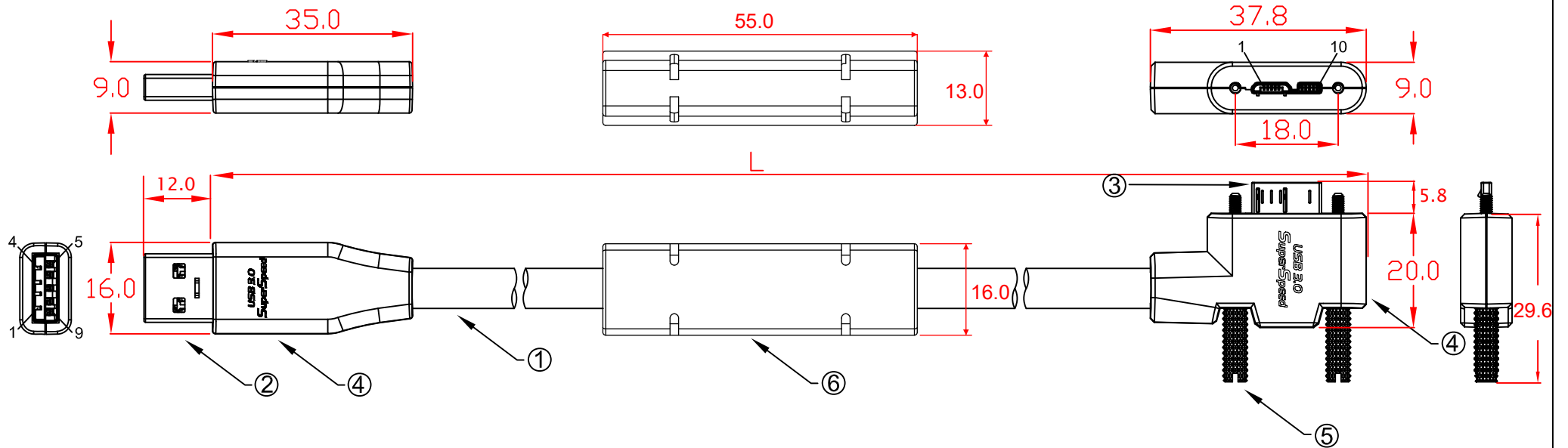


L:
 CBL-HFD3igMBS-4m 4000mm±30mm
 CBL-HFD3igMBS-5m 5000mm±30mm
 CBL-HFD3igMBS-6m 6000mm±30mm

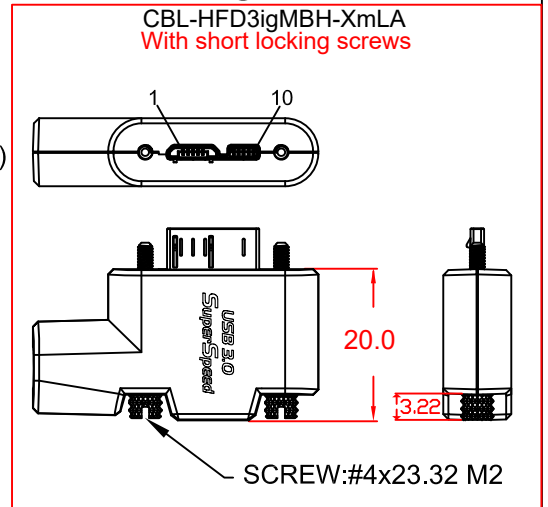
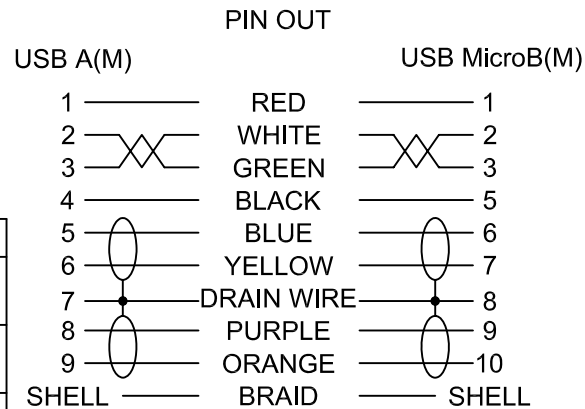


No	MATERIALS LIST:
1.	CABLE:UL20276 (2x(2x28AWG)+2x(2x28AWG)C) OD:7.0mm PUR JACKET COLOR:RED LILAC
2.	CONNECTOR:USB 3.0 A/M, 9P, BLUE INSULATOR SOLDER TYPE, NICKEL PLATED SHELL
3.	CONNECTOR:USB 3.0 MicroB/M, 10P, BLACK INSULATOR SOLDER TYPE, NICKEL PLATED SHELL
4.	PVC MOLDED HOUSING, BLACK COLOR
5.	SCREW:#4x33 M2
6.	

Jargy part no.	Client part no.	Approved	SCALE	UNIT
CBL-HFD3igMBS-xm				mm
Drawing Name		Drawn	Date	REV.
USB 3.0 A to MicroB Cable M/M				1.0

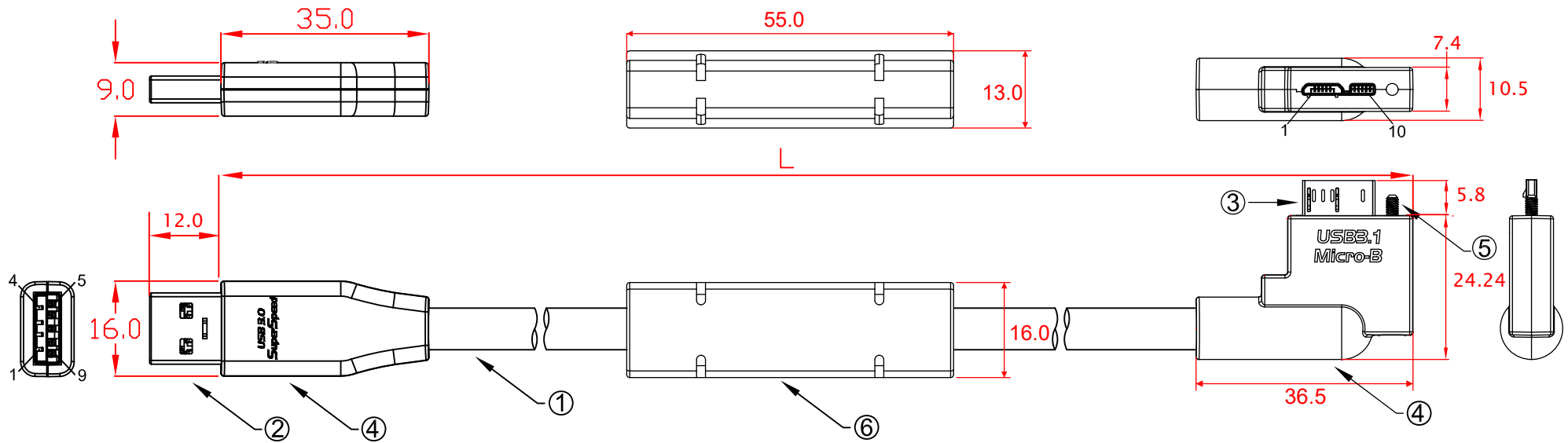


L:
 CBL-HFD3igMBS-4mLA 4000mm±30mm
 CBL-HFD3igMBS-5mLA 5000mm±30mm
 CBL-HFD3igMBS-6mLA 6000mm±30mm



No	MATERIALS LIST:
1.	CABLE:UL20276 (2x(2x28AWG)+2x(2x28AWG)C) OD:7.0mm PUR JACKET COLOR:RED LILAC
2.	CONNECTOR:USB 3.0 A/M, 9P, BLUE INSULATOR SOLDER TYPE, NICKEL PLATED SHELL
3.	CONNECTOR:USB 3.0 MicroB/M, 10P, BLACK INSULATOR SOLDER TYPE, NICKEL PLATED SHELL
4.	ABS ASSEMBLY HOUSING, BLACK COLOR
5.	SCREW:#4x33 M2
6.	PVC MOLDED HOUSING, BLACK COLOR

Jargy part no.	Client part no.	Approved	SCALE	UNIT
CBL-HFD3igMBS-xmLA				mm
Drawing Name		Drawn	Date	REV.
USB 3.0 A to MicroB Cable M/M				1.0

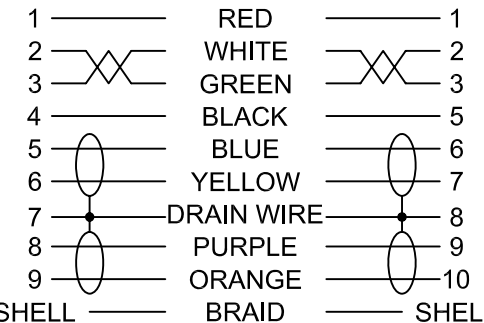


L:
 CBL-HFD3igMBSN-4mLA 4000mm±30mm
 CBL-HFD3igMBSN-5mLA 5000mm±30mm
 CBL-HFD3igMBSN-6mLA 6000mm±30mm

PIN OUT

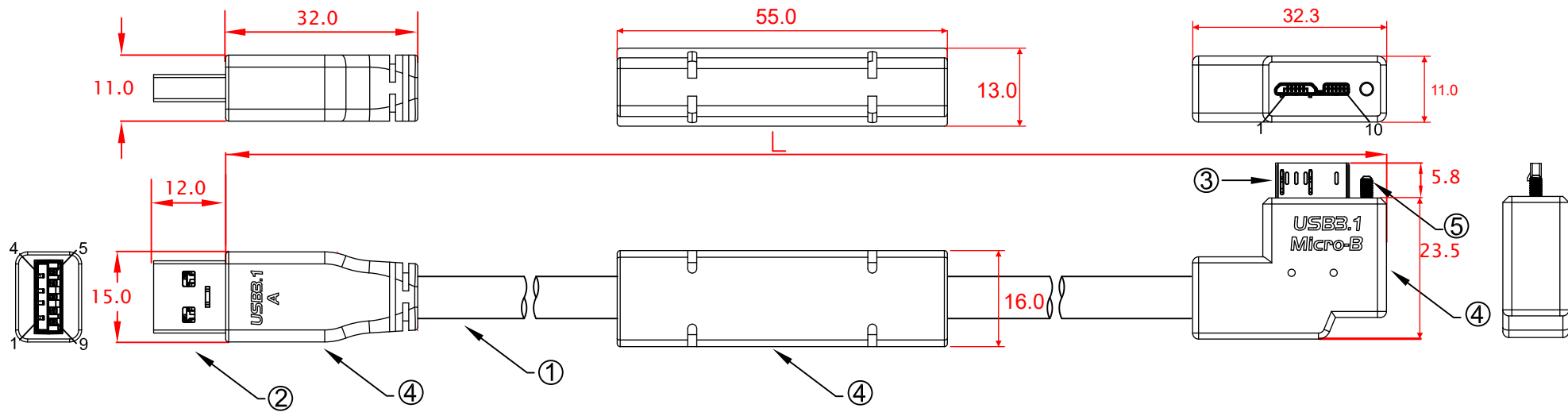
USB A(M)

USB MicroB(M)

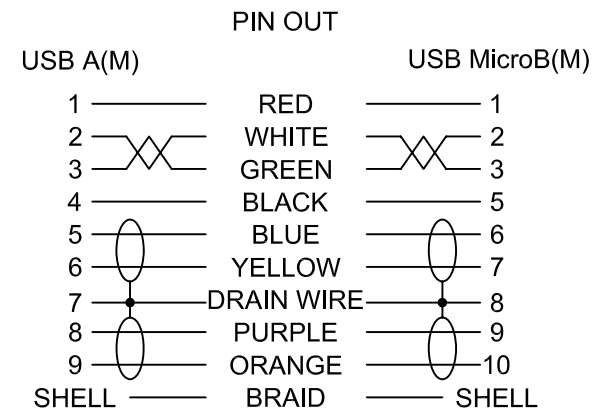


No	MATERIALS LIST:
1.	CABLE:UL20276 (2x(2x28AWG)+2x(2x28AWG)C) OD:7.0mm PUR JACKET COLOR:RED LILAC
2.	CONNECTOR:USB 3.0 A/M, 9P, BLUE INSULATOR SOLDER TYPE, NICKEL PLATED SHELL
3.	CONNECTOR:USB 3.0 MicroB/M, 10P, BLACK INSULATOR SOLDER TYPE, NICKEL PLATED SHELL
4.	ABS ASSEMBLY HOUSING, BLACK COLOR
5.	SCREW:#4x23.32 M2
6.	PVC MOLDED HOUSING, BLACK COLOR

Jargy part no.	Client part no.	Approved	SCALE	UNIT
CBL-HFD3igMBSN-xmLA				mm
Drawing Name		Drawn	Date	REV.
USB 3.0 A to MicroB Cable M/M				1.0

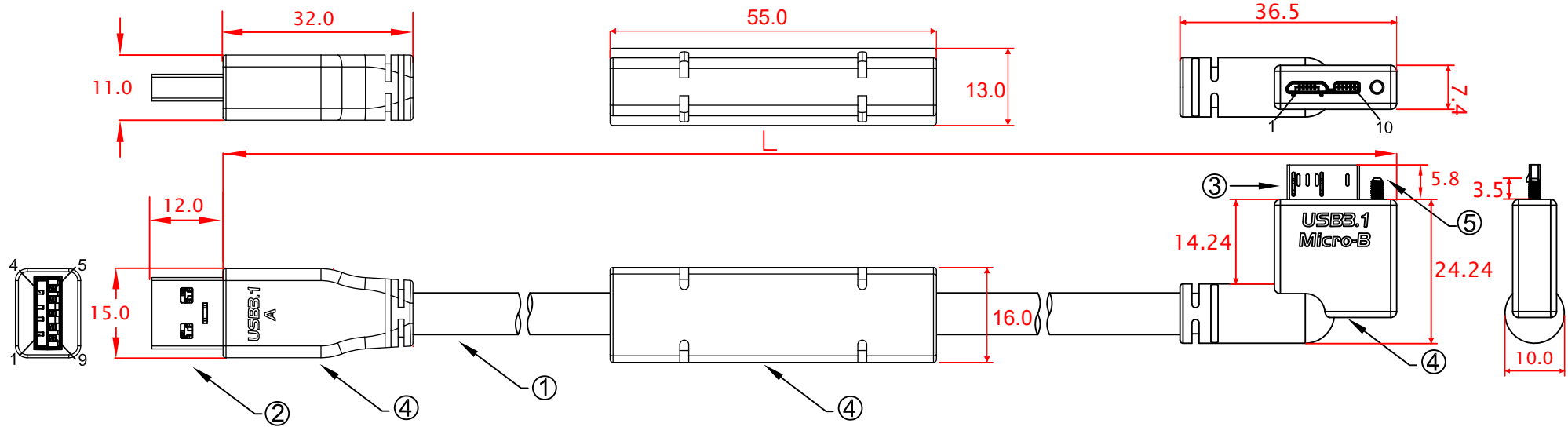


L:
 CBL-HFD3igMBH-4mLA 4000mm±30mm
 CBL-HFD3igMBH-5mLA 5000mm±30mm
 CBL-HFD3igMBH-6mLA 6000mm±30mm



No	MATERIALS LIST:
1.	CABLE:UL20276 (2x(2x28AWG)+2x(2x28AWG)C) OD:7.0mm PUR JACKET COLOR:RED LILAC
2.	CONNECTOR:USB 3.0 A/M, 9P, BLUE INSULATOR SOLDER TYPE, NICKEL PLATED SHELL
3.	CONNECTOR:USB 3.0 MicroB/M, 10P, BLACK INSULATOR SOLDER TYPE, NICKEL PLATED SHELL
4.	PVC MOLDED HOUSING, BLACK COLOR
5.	SCREW:#4x23.32 M2
6.	

Jargy part no.	Client part no.	Approved	SCALE	UNIT
CBL-HFD3igMBH-xmLA				mm
Drawing Name		Drawn	Date	REV.
USB 3.0 A to MicroB Cable M/M				1.0

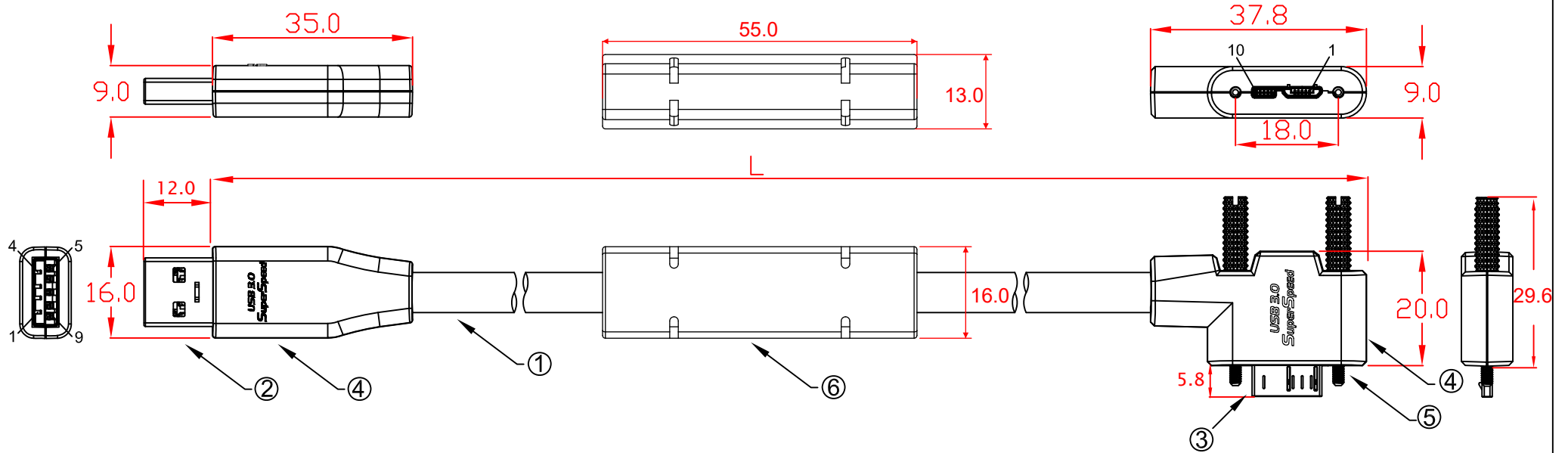


L:
 CBL-HFD3igMBHM-4mLA 4000mm±30mm
 CBL-HFD3igMBHM-5mLA 5000mm±30mm
 CBL-HFD3igMBHM-6mLA 6000mm±30mm

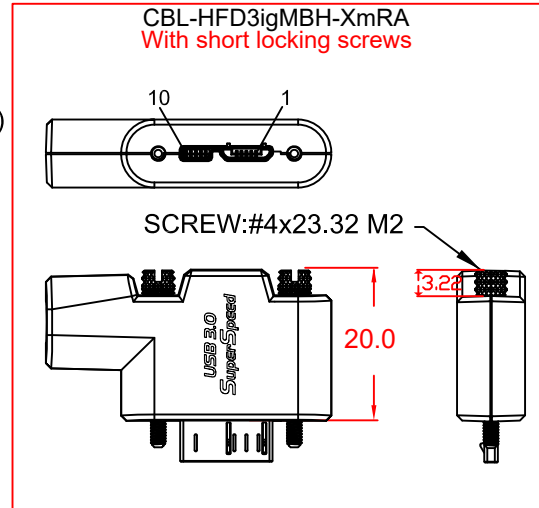
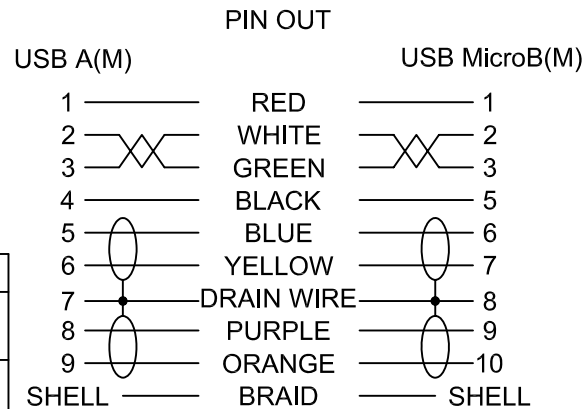
USB A(M)		PIN OUT	USB MicroB(M)	
1	—	RED	—	1
2	—	WHITE	—	2
3	—	GREEN	—	3
4	—	BLACK	—	5
5	—	BLUE	—	6
6	—	YELLOW	—	7
7	—	DRAIN WIRE	—	8
8	—	PURPLE	—	9
9	—	ORANGE	—	10
SHELL		—	BRAID	
			SHELL	

No	MATERIALS LIST:
1.	CABLE:UL20276 (2x(2x28AWG)+2x(2x28AWG)C) OD:7.0mm PUR JACKET COLOR:RED LILAC
2.	CONNECTOR:USB 3.0 A/M, 9P, BLUE INSULATOR SOLDER TYPE, NICKEL PLATED SHELL
3.	CONNECTOR:USB 3.0 MicroB/M, 10P, BLACK INSULATOR SOLDER TYPE, NICKEL PLATED SHELL
4.	PVC MOLDED HOUSING, BLACK COLOR
5.	SCREW:#4x23.32 M2
6.	

Jargy part no.	Client part no.	Approved	SCALE	UNIT
CBL-HFD3igMBHM-xmLA				mm
Drawing Name		Drawn	Date	REV.
USB 3.0 A to MicroB Cable M/M				1.0

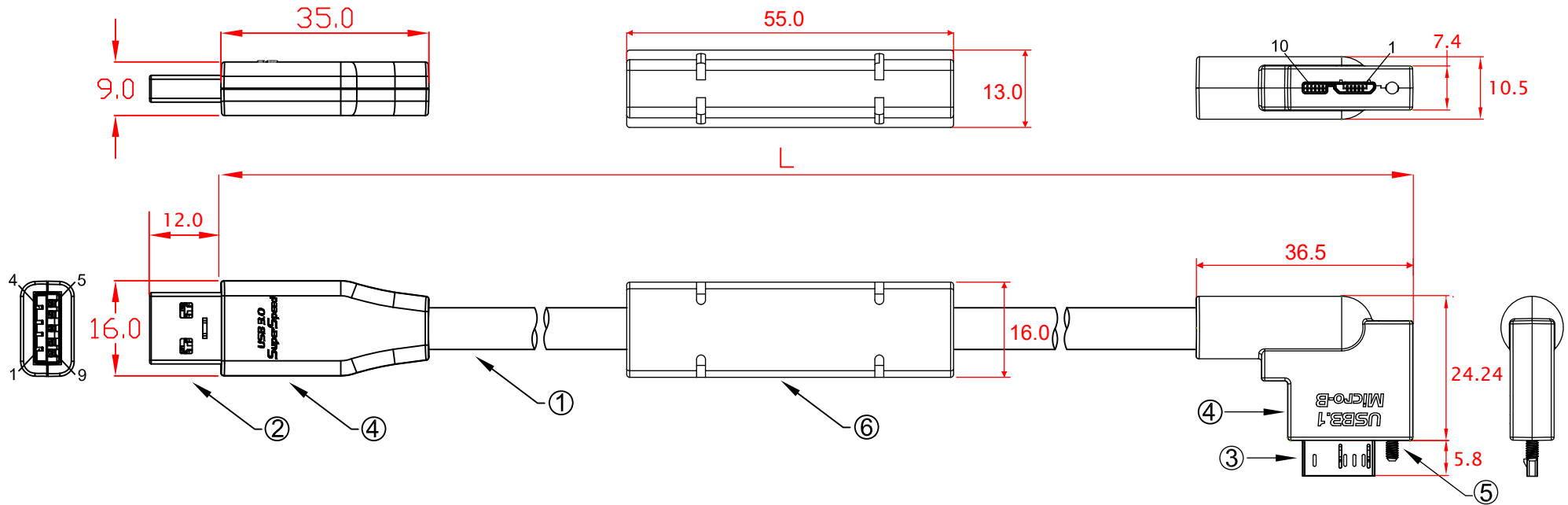


L:
 CBL-HFD3igMBS-4mRA 4000mm±30mm
 CBL-HFD3igMBS-5mRA 5000mm±30mm
 CBL-HFD3igMBS-6mRA 6000mm±30mm



No	MATERIALS LIST:
1.	CABLE:UL20276 (2x(2x28AWG)+2x(2x28AWG)C) OD:7.0mm PUR JACKET COLOR:RED LILAC
2.	CONNECTOR:USB 3.0 A/M, 9P, BLUE INSULATOR SOLDER TYPE, NICKEL PLATED SHELL
3.	CONNECTOR:USB 3.0 MicroB/M, 10P, BLACK INSULATOR SOLDER TYPE, NICKEL PLATED SHELL
4.	ABS ASSEMBLY HOUSING, BLACK COLOR
5.	SCREW:#4x33 M2
6.	PVC MOLDED HOUSING, BLACK COLOR

Jargy part no.	Client part no.	Approved	SCALE	UNIT
CBL-HFD3igMBS-xmRA				mm
Drawing Name		Drawn	Date	REV.
USB 3.0 A to MicroB Cable M/M				1,0

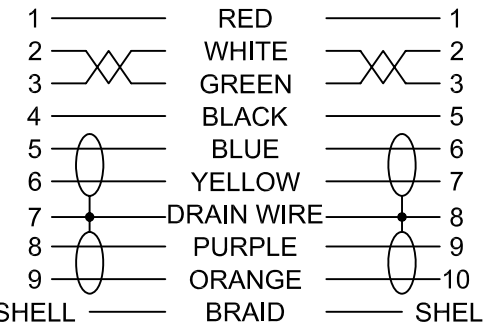


L:
 CBL-HFD3igMBSN-4mRA 4000mm±30mm
 CBL-HFD3igMBSN-5mRA 5000mm±30mm
 CBL-HFD3igMBSN-6mRA 6000mm±30mm

PIN OUT

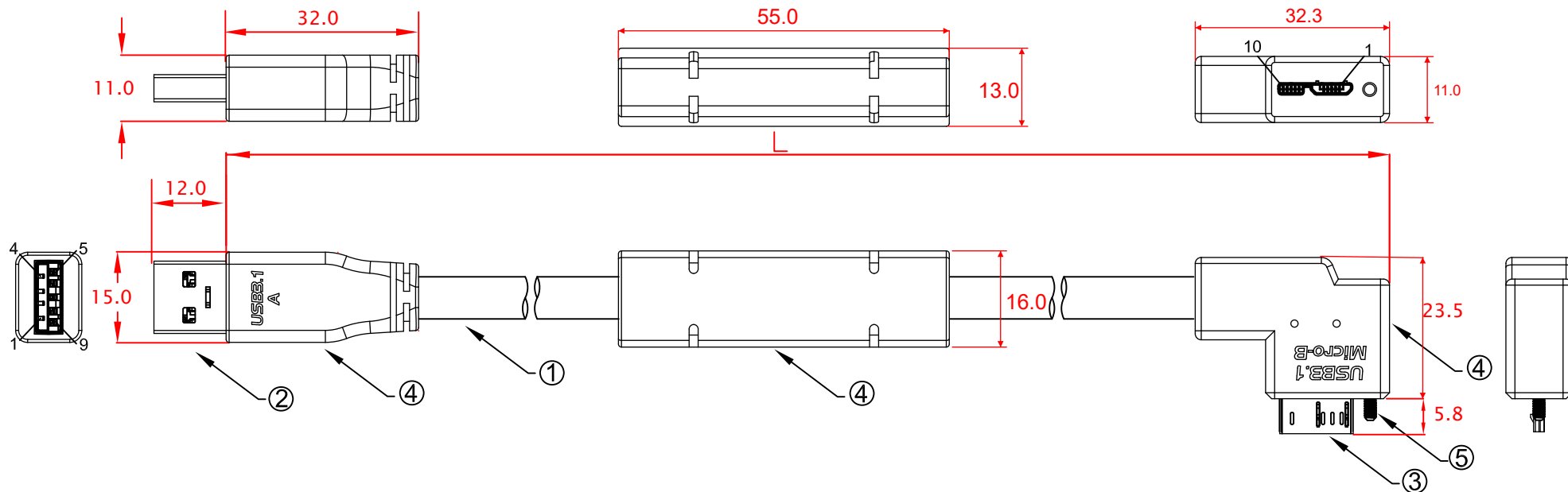
USB A(M)

USB MicroB(M)

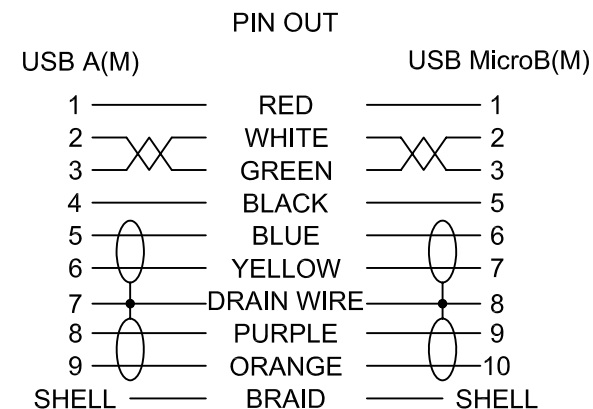


No	MATERIALS LIST:
1.	CABLE:UL20276 (2x(2x28AWG)+2x(2x28AWG)C) OD:7.0mm PUR JACKET COLOR:RED LILAC
2.	CONNECTOR:USB 3.0 A/M, 9P, BLUE INSULATOR SOLDER TYPE, NICKEL PLATED SHELL
3.	CONNECTOR:USB 3.0 MicroB/M, 10P, BLACK INSULATOR SOLDER TYPE, NICKEL PLATED SHELL
4.	ABS ASSEMBLY HOUSING, BLACK COLOR
5.	SCREW:#4x23.32 M2
6.	PVC MOLDED HOUSING, BLACK COLOR

Jargy part no.	Client part no.	Approved	SCALE	UNIT
CBL-HFD3igMBSN-xmRA				mm
Drawing Name		Drawn	Date	REV.
USB 3.0 A to MicroB Cable M/M				1.0

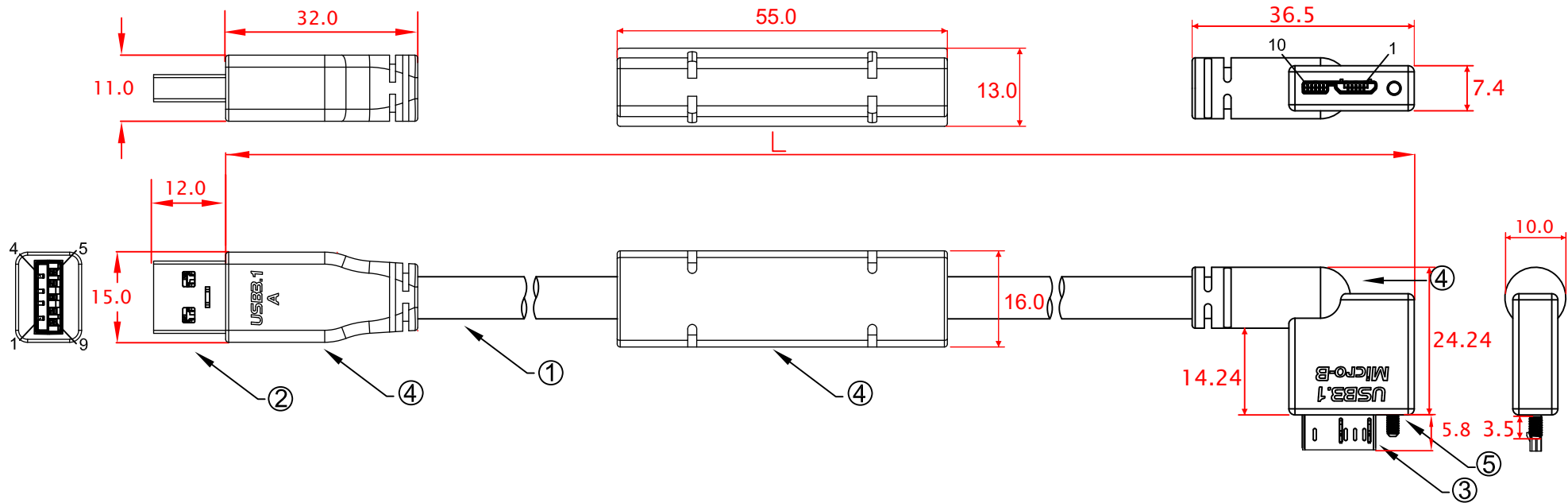


- L:
- | | |
|--------------------|-------------|
| CBL-HFD3igMBH-4mRA | 4000mm±30mm |
| CBL-HFD3igMBH-5mRA | 5000mm±30mm |
| CBL-HFD3igMBH-6mRA | 6000mm±30mm |

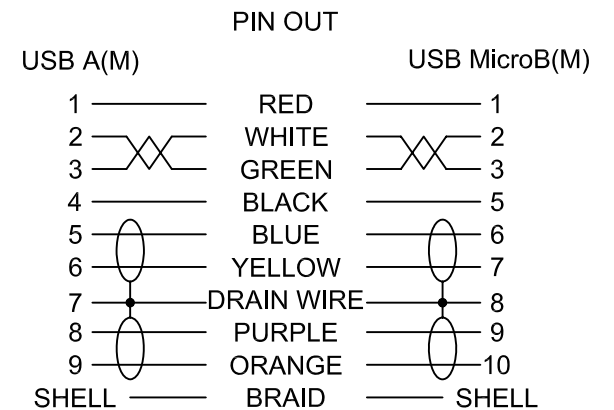


No	MATERIALS LIST:
1.	CABLE:UL20276 (2x(2x28AWG)+2x(2x28AWG)C) OD:7.0mm PUR JACKET COLOR:RED LILAC
2.	CONNECTOR:USB 3.0 A/M, 9P, BLUE INSULATOR SOLDER TYPE, NICKEL PLATED SHELL
3.	CONNECTOR:USB 3.0 MicroB/M, 10P, BLACK INSULATOR SOLDER TYPE, NICKEL PLATED SHELL
4.	PVC MOLDED HOUSING, BLACK COLOR
5.	SCREW:#4x23.32 M2
6.	

Jargy part no.	Client part no.	Approved	SCALE	UNIT
CBL-HFD3igMBH-xmRA				mm
Drawing Name		Drawn	Date	REV.
USB 3.0 A to MicroB Cable M/M				1.0

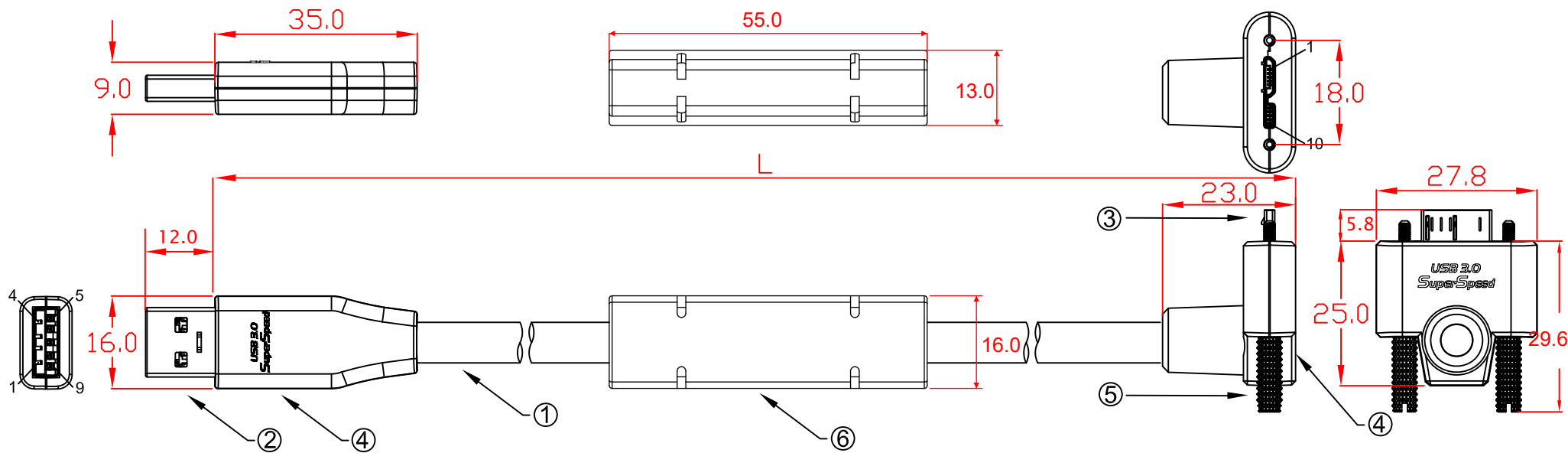


- L:
- CBL-HFD3igMBHM-4mRA 4000mm±30mm
 - CBL-HFD3igMBHM-5mRA 5000mm±30mm
 - CBL-HFD3igMBHM-6mRA 6000mm±30mm

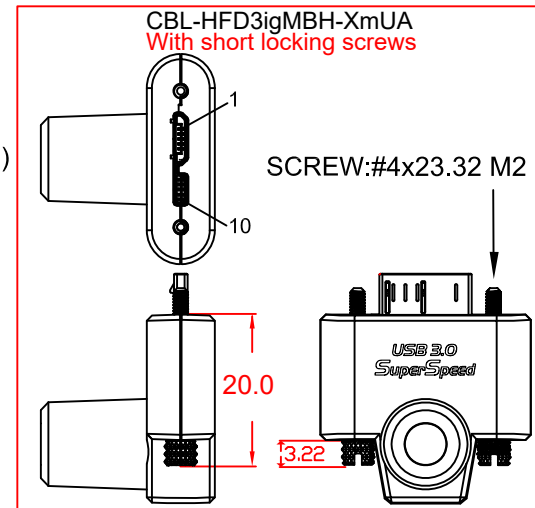
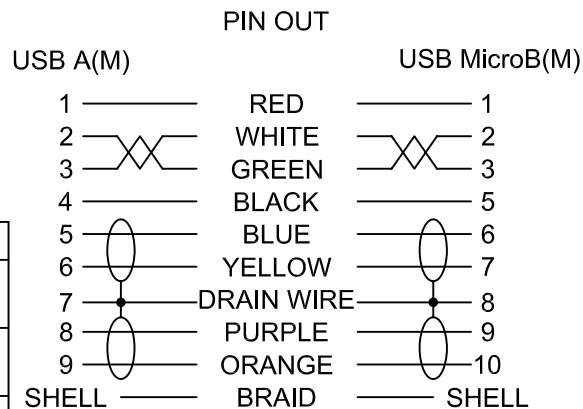


No	MATERIALS LIST:
1.	CABLE:UL20276 (2x(2x28AWG)+2x(2x28AWG)C) OD:7.0mm PUR JACKET COLOR:RED LILAC
2.	CONNECTOR:USB 3.0 A/M, 9P, BLUE INSULATOR SOLDER TYPE, NICKEL PLATED SHELL
3.	CONNECTOR:USB 3.0 MicroB/M, 10P, BLACK INSULATOR SOLDER TYPE, NICKEL PLATED SHELL
4.	PVC MOLDED HOUSING, BLACK COLOR
5.	SCREW:#4x23.32 M2
6.	

Jargy part no.	Client part no.	Approved	SCALE	UNIT
CBL-HFD3igMBHM-xmRA				mm
Drawing Name		Drawn	Date	REV.
USB 3.0 A to MicroB Cable M/M				1.0

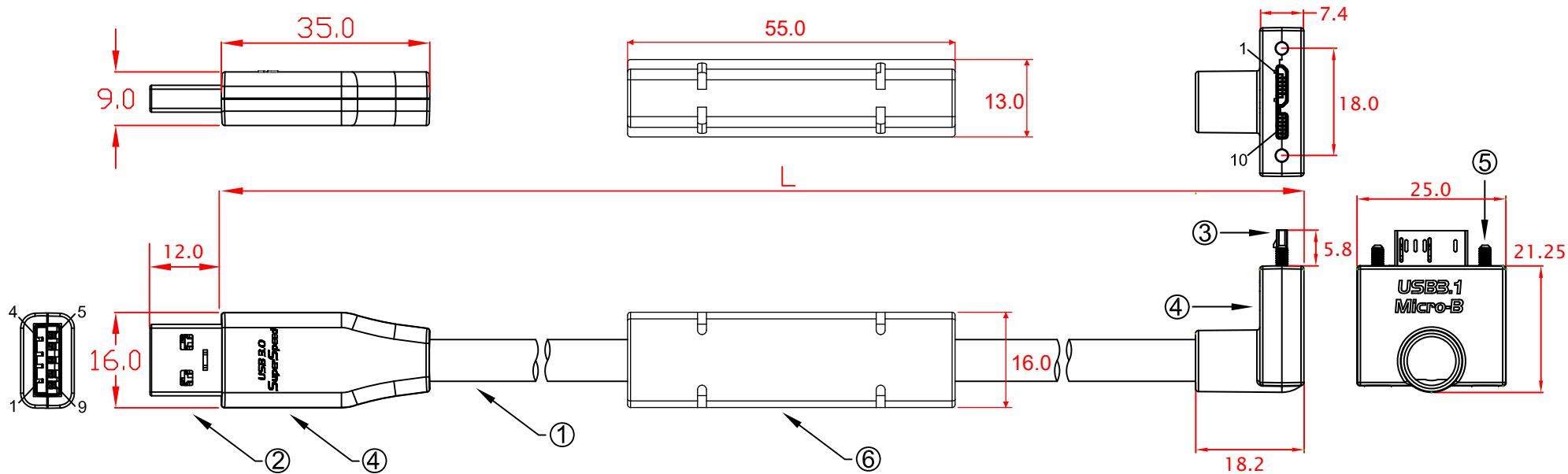


L:
 CBL-HFD3igMBS-4mUA 4000mm±30mm
 CBL-HFD3igMBS-5mUA 5000mm±30mm
 CBL-HFD3igMBS-6mUA 6000mm±30mm



No	MATERIALS LIST:
1.	CABLE:UL20276 (2x(2x28AWG)+2x(2x28AWG)C) OD:7.0mm PUR JACKET COLOR:RED LILAC
2.	CONNECTOR:USB 3.0 A/M, 9P, BLUE INSULATOR SOLDER TYPE, NICKEL PLATED SHELL
3.	CONNECTOR:USB 3.0 MicroB/M, 10P, BLACK INSULATOR SOLDER TYPE, NICKEL PLATED SHELL
4.	ABS ASSEMBLY HOUSING, BLACK COLOR
5.	SCREW:#4x33 M2
6.	PVC MOLDED HOUSING, BLACK COLOR

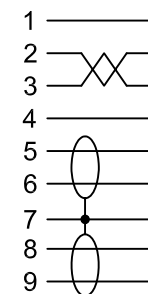
Jargy part no.	Client part no.	Approved	SCALE	UNIT
CBL-HFD3igMBS-xmUA				mm
Drawing Name		Drawn	Date	REV.
USB 3.0 A to MicroB Cable M/M				1.0



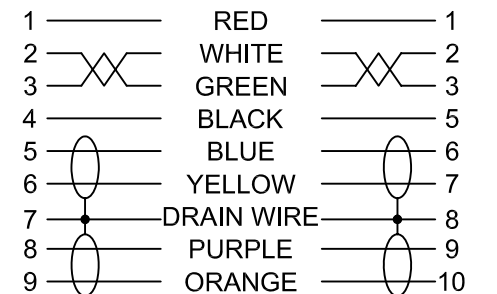
- L:
- CBL-HFD3igMBSN-4mUA 4000mm±30mm
 - CBL-HFD3igMBSN-5mUA 5000mm±30mm
 - CBL-HFD3igMBSN-6mUA 6000mm±30mm

PIN OUT

USB A(M)

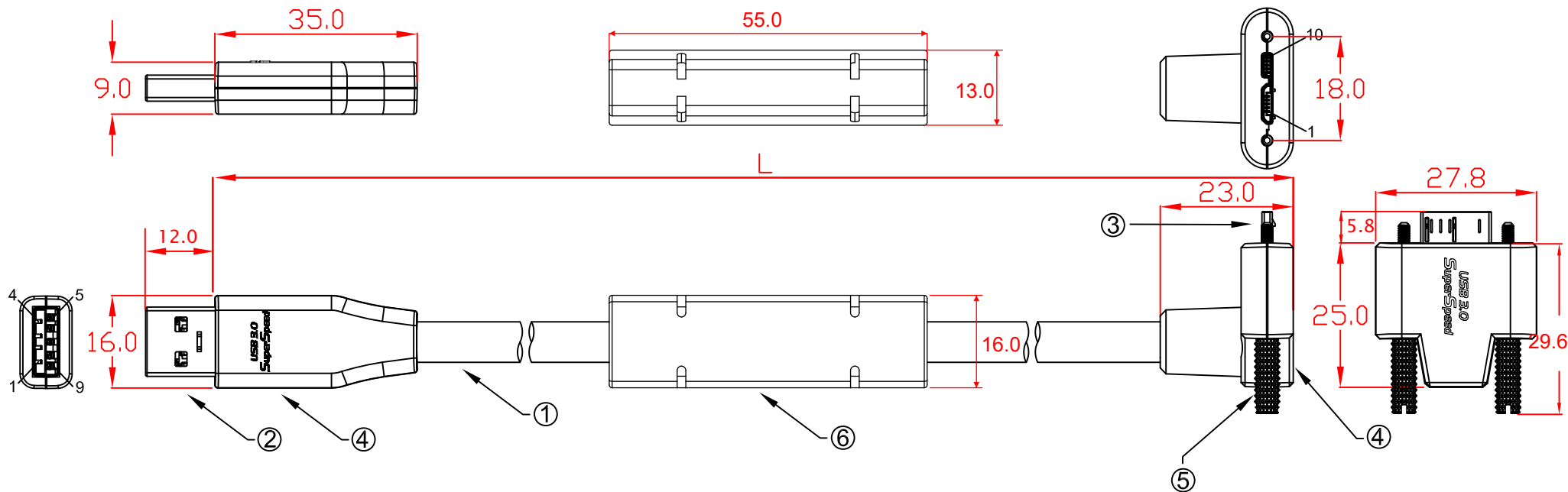


USB MicroB(M)

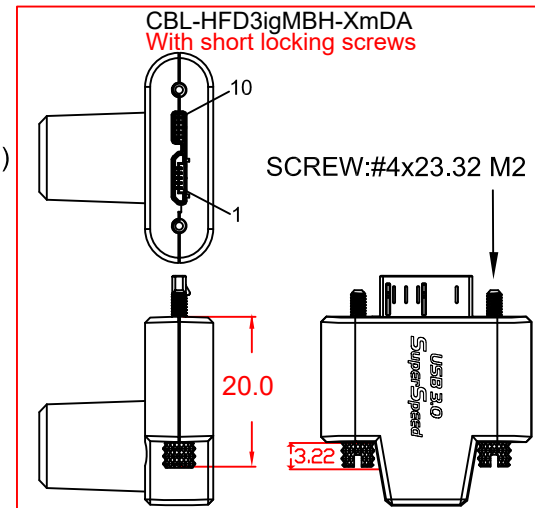
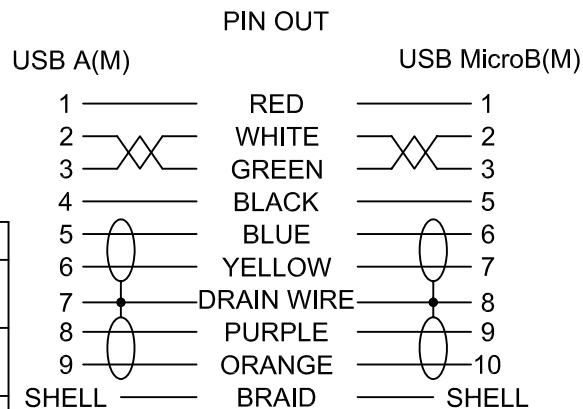


No	MATERIALS LIST:
1.	CABLE:UL20276 (2x(2x28AWG)+2x(2x28AWG)C) OD:7.0mm PUR JACKET COLOR:RED LILAC
2.	CONNECTOR:USB 3.0 A/M, 9P, BLUE INSULATOR SOLDER TYPE, NICKEL PLATED SHELL
3.	CONNECTOR:USB 3.0 MicroB/M, 10P, BLACK INSULATOR SOLDER TYPE, NICKEL PLATED SHELL
4.	ABS ASSEMBLY HOUSING, BLACK COLOR
5.	SCREW:#4x23.32 M2
6.	PVC MOLDED HOUSING, BLACK COLOR

Jargy part no.	Client part no.	Approved	SCALE	UNIT
CBL-HFD3igMBSN-xmUA				mm
Drawing Name		Drawn	Date	REV.
USB 3.0 A to MicroB Cable M/M				1.0

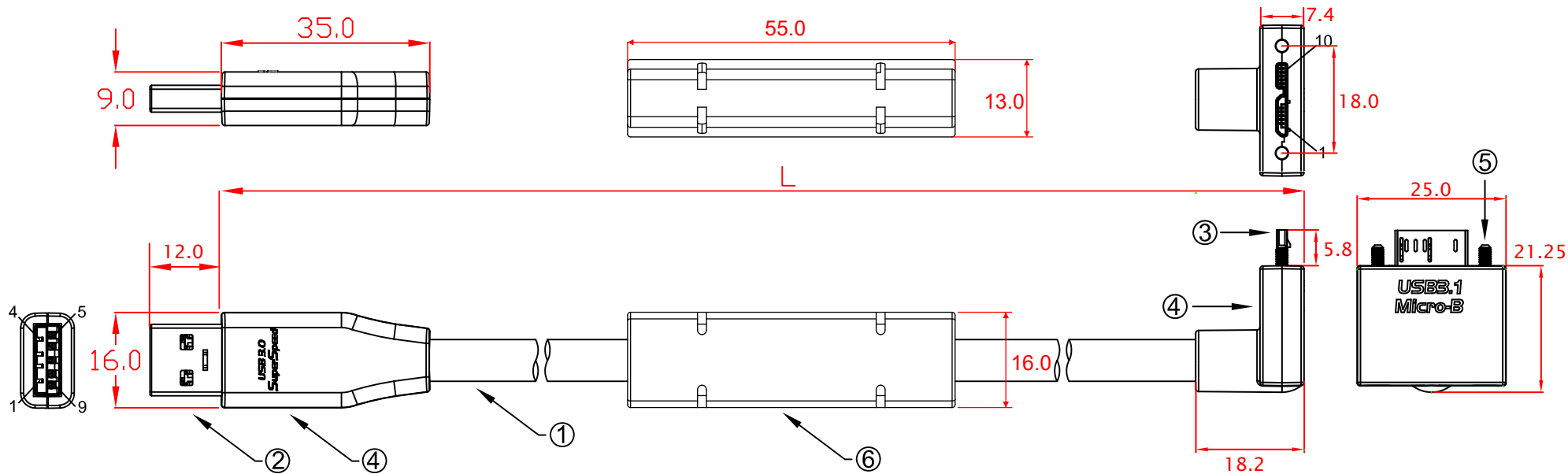


L:
 CBL-HFD3igMBS-4mDA 4000mm±30mm
 CBL-HFD3igMBS-5mDA 5000mm±30mm
 CBL-HFD3igMBS-6mDA 6000mm±30mm



No	MATERIALS LIST:
1.	CABLE:UL20276 (2x(2x28AWG)+2x(2x28AWG)C) OD:7.0mm PUR JACKET COLOR:RED LILAC
2.	CONNECTOR:USB 3.0 A/M, 9P, BLUE INSULATOR SOLDER TYPE, NICKEL PLATED SHELL
3.	CONNECTOR:USB 3.0 MicroB/M, 10P, BLACK INSULATOR SOLDER TYPE, NICKEL PLATED SHELL
4.	ABS ASSEMBLY HOUSING, BLACK COLOR
5.	SCREW:#4x33 M2
6.	PVC MOLDED HOUSING, BLACK COLOR

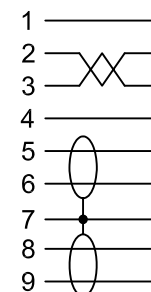
Jargy part no.	Client part no.	Approved	SCALE	UNIT
CBL-HFD3igMBS-xmDA				mm
Drawing Name		Drawn	Date	REV.
USB 3.0 A to MicroB Cable M/M				1.0



L:
 CBL-HFD3igMBSN-4mDA 4000mm±30mm
 CBL-HFD3igMBSN-5mDA 5000mm±30mm
 CBL-HFD3igMBSN-6mDA 6000mm±30mm

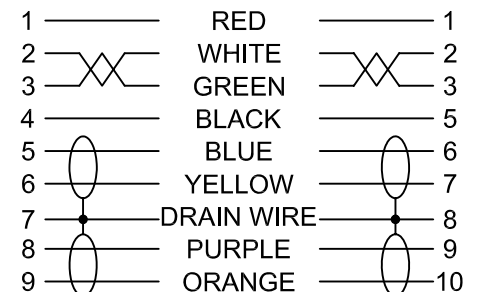
PIN OUT

USB A(M)



SHELL

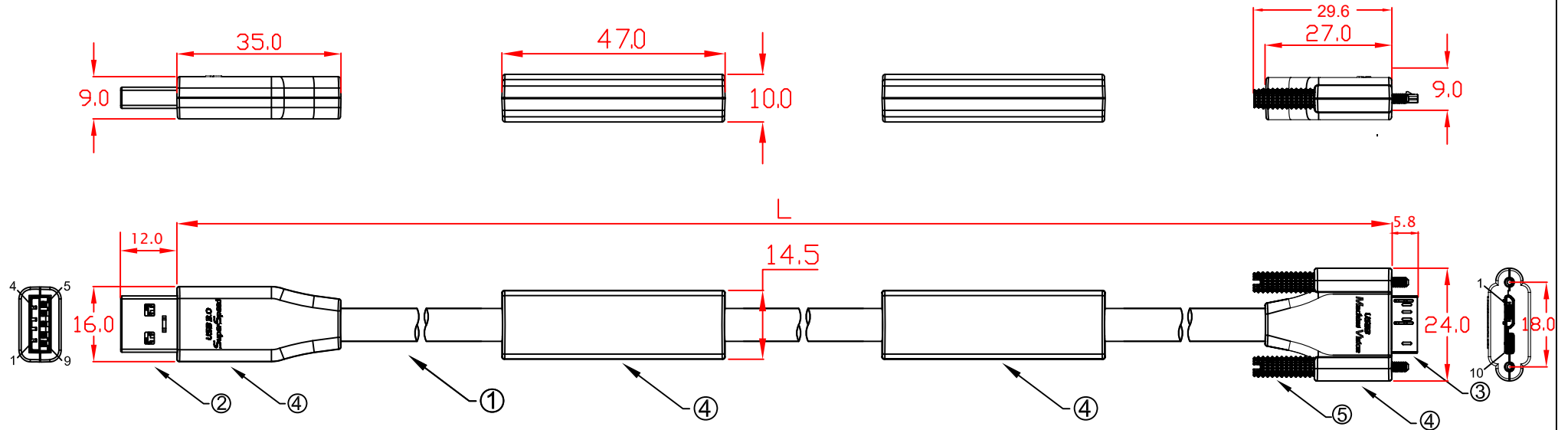
USB MicroB(M)



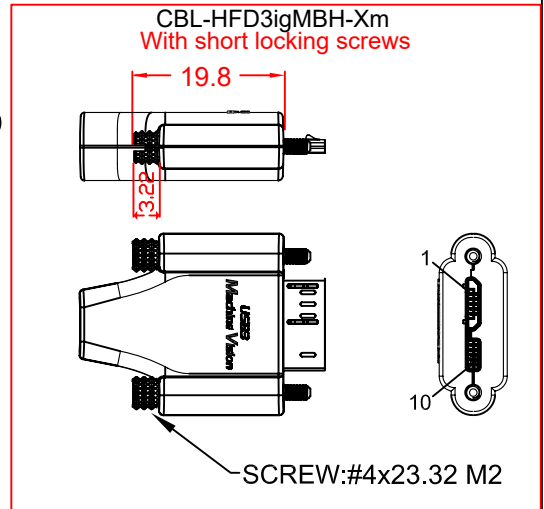
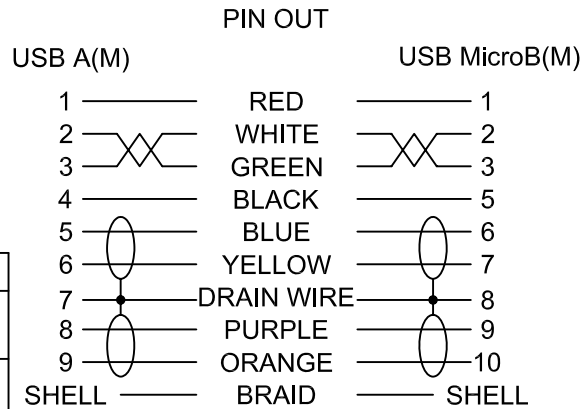
SHELL

No	MATERIALS LIST:
1.	CABLE:UL20276 (2x(2x28AWG)+2x(2x28AWG)C) OD:7.0mm PUR JACKET COLOR:RED LILAC
2.	CONNECTOR:USB 3.0 A/M, 9P, BLUE INSULATOR SOLDER TYPE, NICKEL PLATED SHELL
3.	CONNECTOR:USB 3.0 MicroB/M, 10P, BLACK INSULATOR SOLDER TYPE, NICKEL PLATED SHELL
4.	ABS ASSEMBLY HOUSING, BLACK COLOR
5.	SCREW:#4x23.32 M2
6.	PVC MOLDED HOUSING, BLACK COLOR

Jargy part no.	Client part no.	Approved	SCALE	UNIT
CBL-HFD3igMBSN-xmDA				mm
Drawing Name		Drawn	Date	REV.
USB 3.0 A to MicroB Cable M/M				1.0

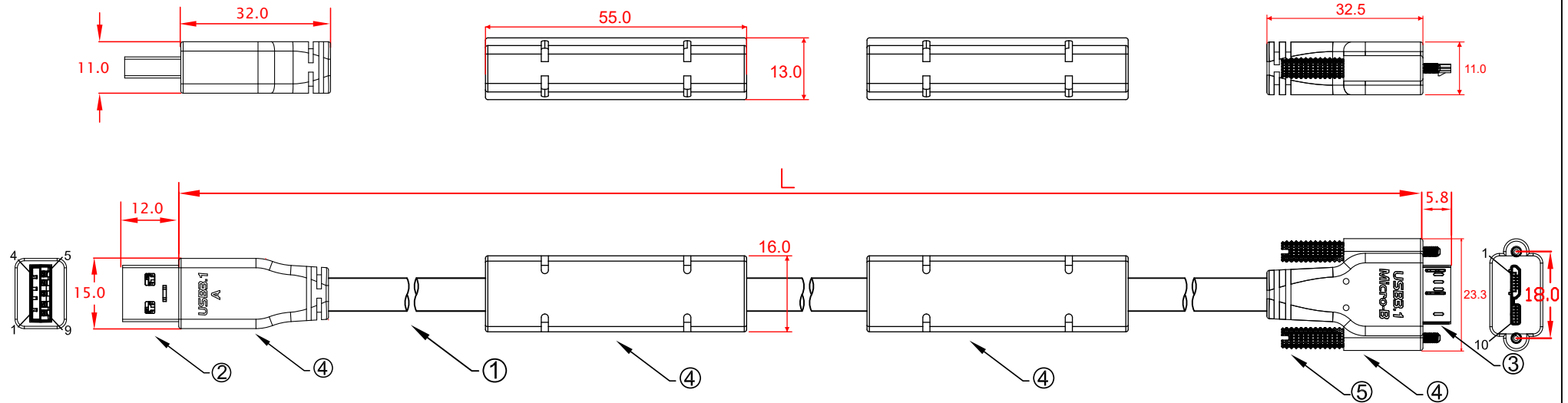


- L:
 CBL-HFD3igMBS-7m 7000mm±50mm
 CBL-HFD3igMBS-8m 8000mm±50mm
 CBL-HFD3igMBS-9m 9000mm±50mm



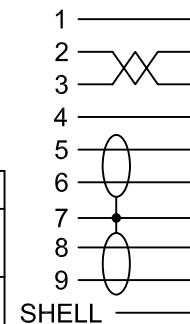
No	MATERIALS LIST:
1.	CABLE:UL20276 (2x(2x28AWG)+2x(2x28AWG)C) OD:7.0mm PUR JACKET COLOR:RED LILAC
2.	CONNECTOR:USB 3.0 A/M, 9P, BLUE INSULATOR SOLDER TYPE, NICKEL PLATED SHELL
3.	CONNECTOR:USB 3.0 MicroB/M, 10P, BLACK INSULATOR SOLDER TYPE, NICKEL PLATED SHELL
4.	ABS ASSEMBLY HOUSING, BLACK COLOR
5.	SCREW:#4x33 M2
6.	

Jargy part no.	Client part no.	Approved	SCALE	UNIT
CBL-HFD3igMBS-xm				mm
Drawing Name		Drawn	Date	REV.
USB 3.0 A to MicroB Cable M/M				1.0



- L:
- | | |
|------------------|-------------|
| CBL-HFD3igMBS-7m | 7000mm±50mm |
| CBL-HFD3igMBS-8m | 8000mm±50mm |
| CBL-HFD3igMBS-9m | 9000mm±50mm |

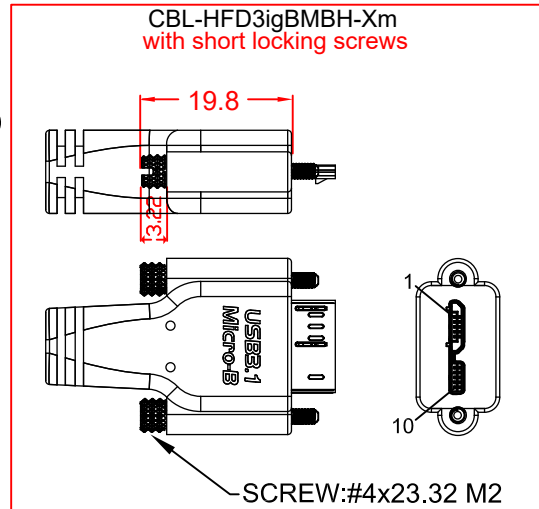
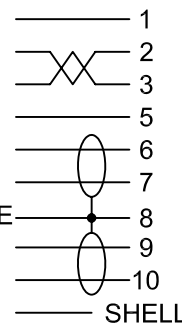
USB A(M)



PIN OUT

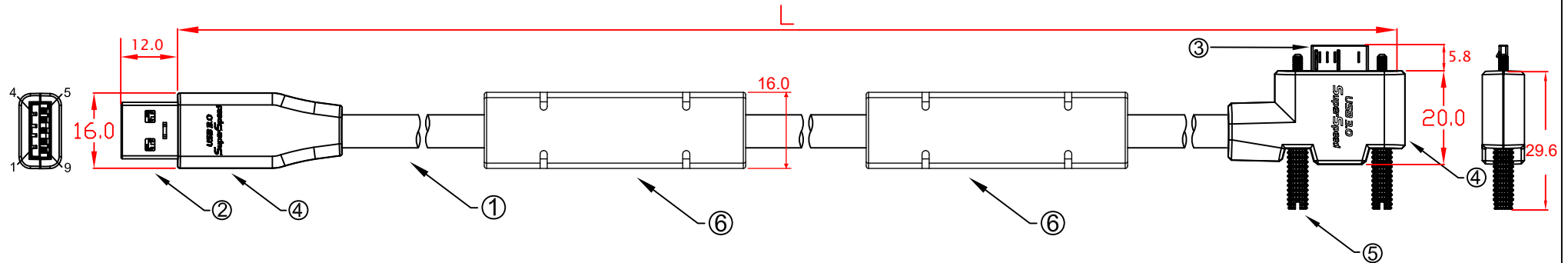
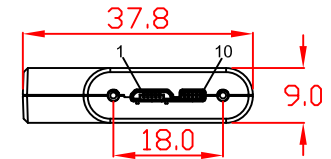
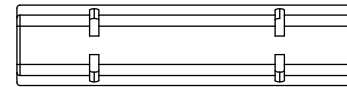
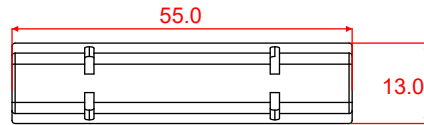
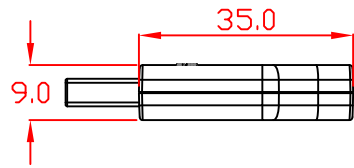
- | | |
|-------|------------|
| 1 | RED |
| 2 | WHITE |
| 3 | GREEN |
| 4 | BLACK |
| 5 | BLUE |
| 6 | YELLOW |
| 7 | DRAIN WIRE |
| 8 | PURPLE |
| 9 | ORANGE |
| SHELL | BRAID |

USB MicroB(M)



No	MATERIALS LIST:
1.	CABLE:UL20276 (2x(2x28AWG)+2x(2x28AWG)C) OD:7.0mm PUR JACKET COLOR:RED LILAC
2.	CONNECTOR:USB 3.0 A/M, 9P, BLUE INSULATOR SOLDER TYPE, NICKEL PLATED SHELL
3.	CONNECTOR:USB 3.0 MicroB/M, 10P, BLACK INSULATOR SOLDER TYPE, NICKEL PLATED SHELL
4.	PVC MOLDED HOUSING, BLACK COLOR
5.	SCREW:#4x33 M2
6.	

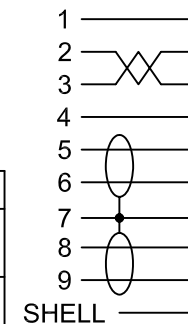
Jargy part no.	Client part no.	Approved	SCALE	UNIT
CBL-HFD3igMBS-xm				mm
Drawing Name		Drawn	Date	REV.
USB 3.0 A to MicroB Cable M/M				1.0



L:

CBL-HFD3igMBS-7mLA	7000mm±50mm
CBL-HFD3igMBS-8mLA	8000mm±50mm
CBL-HFD3igMBS-9mLA	9000mm+50mm

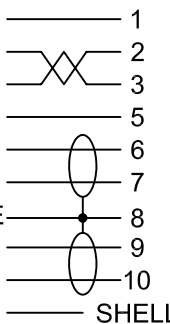
USB A(M)



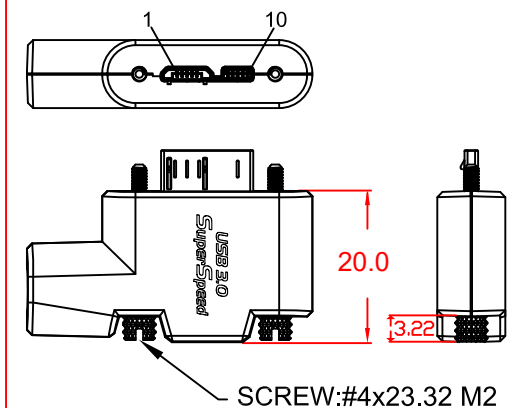
PIN OUT



USB MicroB(M)

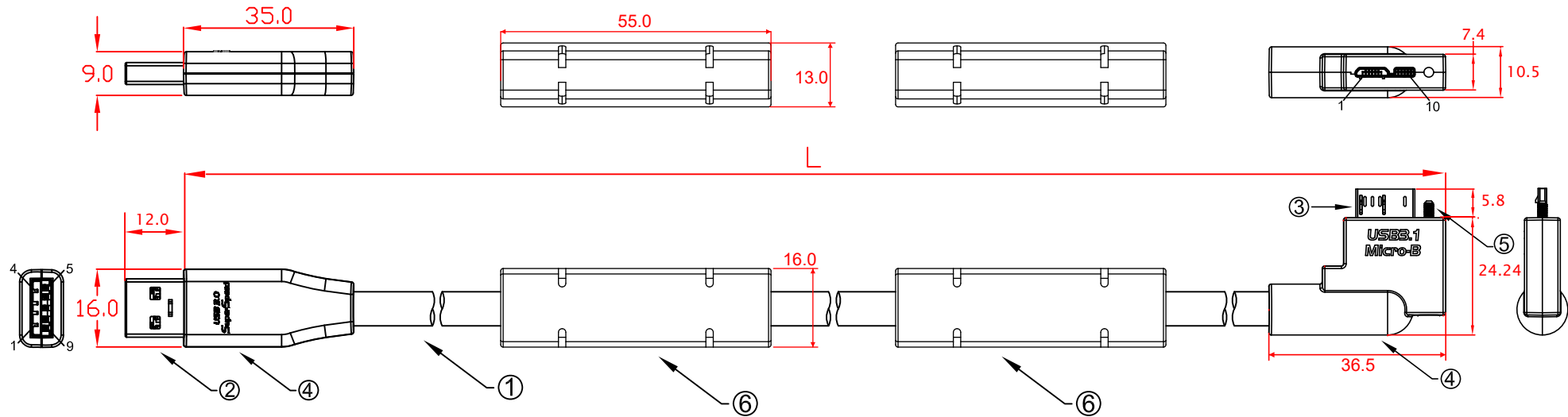


CBL-HFD3igMBH-XmLA
With short locking screws

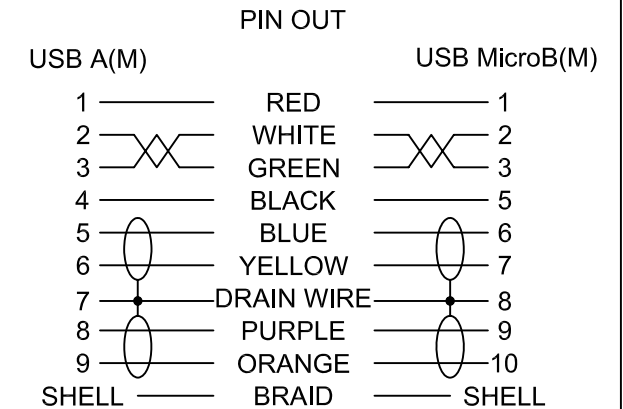


No	MATERIALS LIST:
1.	CABLE:UL20276 (2x(2x28AWG)+2x(2x28AWG)C) OD:7.0mm PUR JACKET COLOR:RED LILAC
2.	CONNECTOR:USB 3.0 A/M, 9P, BLUE INSULATOR SOLDER TYPE, NICKEL PLATED SHELL
3.	CONNECTOR:USB 3.0 MicroB/M, 10P, BLACK INSULATOR SOLDER TYPE, NICKEL PLATED SHELL
4.	ABS ASSEMBLY HOUSING, BLACK COLOR
5.	SCREW:#4x33 M2
6.	PVC MOLDED HOUSING, BLACK COLOR

Jargy part no.	Client part no.	Approved	SCALE	UNIT
CBL-HFD3igMBS-xmLA				mm
Drawing Name		Drawn	Date	REV.
USB 3.0 A to MicroB Cable M/M				1.0

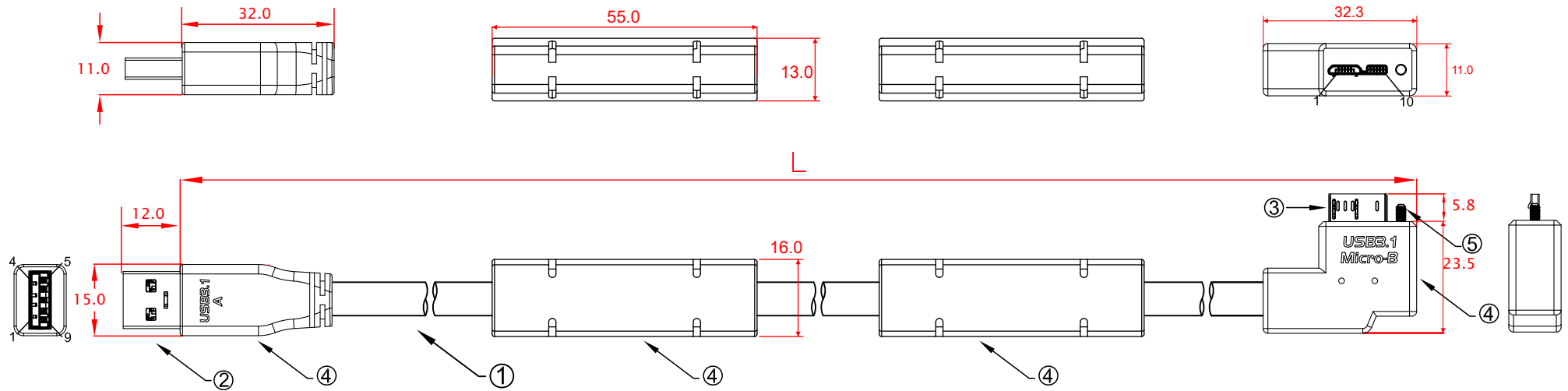


- L:
- CBL-HFD3igMBSN-7mLA 7000mm±50mm
 - CBL-HFD3igMBSN-8mLA 8000mm±50mm
 - CBL-HFD3igMBSN-9mLA 9000mm±50mm



No	MATERIALS LIST:
1.	CABLE:UL20276 (2x(2x28AWG)+2x(2x28AWG)C) OD:7.0mm PUR JACKET COLOR:RED LILAC
2.	CONNECTOR:USB 3.0 A/M, 9P, BLUE INSULATOR SOLDER TYPE, NICKEL PLATED SHELL
3.	CONNECTOR:USB 3.0 MicroB/M, 10P, BLACK INSULATOR SOLDER TYPE, NICKEL PLATED SHELL
4.	ABS ASSEMBLY HOUSING, BLACK COLOR
5.	SCREW:#4x23.32 M2
6.	PVC MOLDED HOUSING, BLACK COLOR

Jargy part no.	Client part no.	Approved	SCALE	UNIT
CBL-HFD3igMBSN-xmLA				mm
Drawing Name		Drawn	Date	REV.
USB 3.0 A to MicroB Cable M/M				1.0



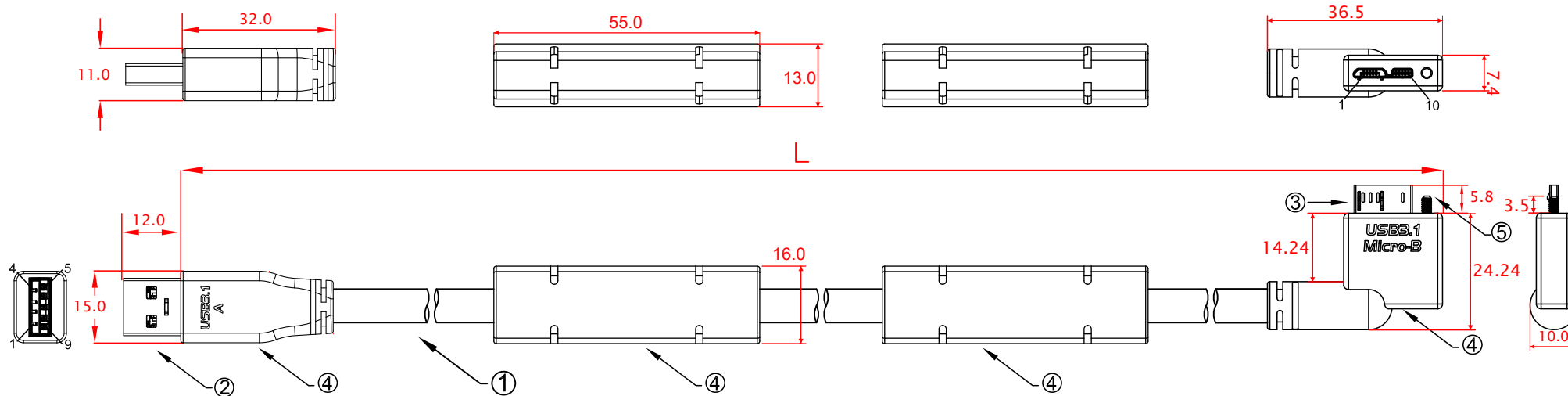
L:

CBL-HFD3igMBH-7mLA	7000mm±50mm
CBL-HFD3igMBH-8mLA	8000mm±50mm
CBL-HFD3igMBH-9mLA	9000mm±50mm

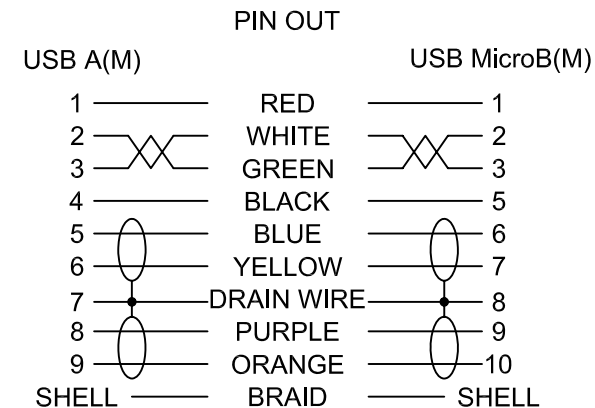
PIN OUT		
USB A(M)		USB MicroB(M)
1 ———	RED	———— 1
2 —X—X—	WHITE	———— 2
3 —X—X—	GREEN	———— 3
4 ———	BLACK	———— 5
5 ———	BLUE	———— 6
6 —○—	YELLOW	———— 7
7 —●—	DRAIN WIRE	———— 8
8 —○—	PURPLE	———— 9
9 —○—	ORANGE	———— 10
SHELL ———	BRAID	———— SHELL

No	MATERIALS LIST:
1.	CABLE:UL20276 (2x(2x28AWG)+2x(2x28AWG)C) OD:7.0mm PUR JACKET COLOR:RED LILAC
2.	CONNECTOR:USB 3.0 A/M, 9P, BLUE INSULATOR SOLDER TYPE, NICKEL PLATED SHELL
3.	CONNECTOR:USB 3.0 MicroB/M, 10P, BLACK INSULATOR SOLDER TYPE, NICKEL PLATED SHELL
4.	PVC MOLDED HOUSING, BLACK COLOR
5.	SCREW:#4x23.32 M2
6.	

Jargy part no.	Client part no.	Approved	SCALE	UNIT
CBL-HFD3igMBH-xmLA				mm
Drawing Name		Drawn	Date	REV.
USB 3.0 A to MicroB Cable M/M				1.0

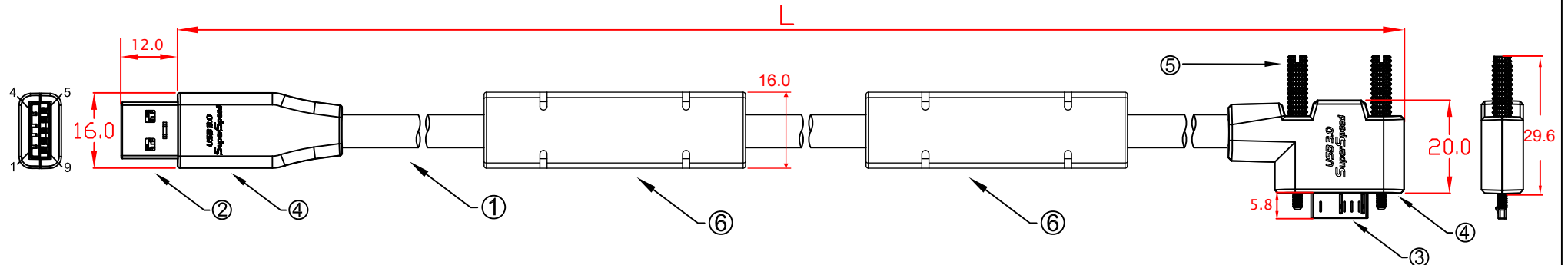
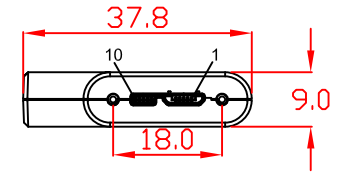
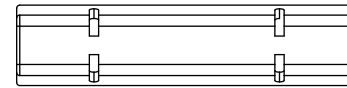
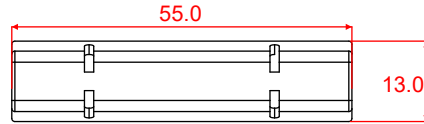
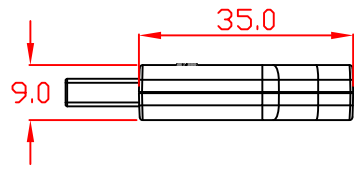


- L:
- CBL-HFD3igMBHM-7mLA 7000mm±50mm
 - CBL-HFD3igMBHM-8mLA 8000mm±50mm
 - CBL-HFD3igMBHM-9mLA 9000mm±50mm



No	MATERIALS LIST:
1.	CABLE:UL20276 (2x(2x28AWG)+2x(2x28AWG)C) OD:7.0mm PUR JACKET COLOR:RED LILAC
2.	CONNECTOR:USB 3.0 A/M, 9P, BLUE INSULATOR SOLDER TYPE, NICKEL PLATED SHELL
3.	CONNECTOR:USB 3.0 MicroB/M, 10P, BLACK INSULATOR SOLDER TYPE, NICKEL PLATED SHELL
4.	PVC MOLDED HOUSING, BLACK COLOR
5.	SCREW:#4x23.32 M2
6.	

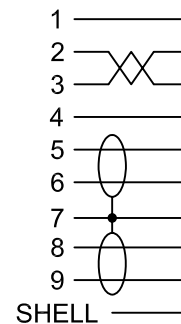
Jargy part no.	Client part no.	Approved	SCALE	UNIT
CBL-HFD3igMBHM-xmLA				mm
Drawing Name		Drawn	Date	REV.
USB 3.0 A to MicroB Cable M/M				1.0



L:

CBL-HFD3igMBS-7mRA	7000mm±50mm
CBL-HFD3igMBS-8mRA	8000mm±50mm
CBL-HFD3igMBS-9mRA	9000mm+50mm

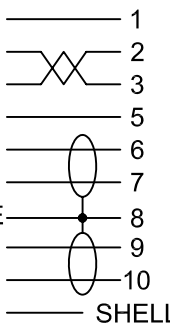
USB A(M)



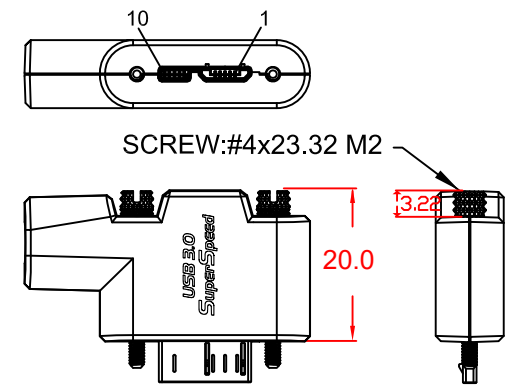
PIN OUT



USB MicroB(M)

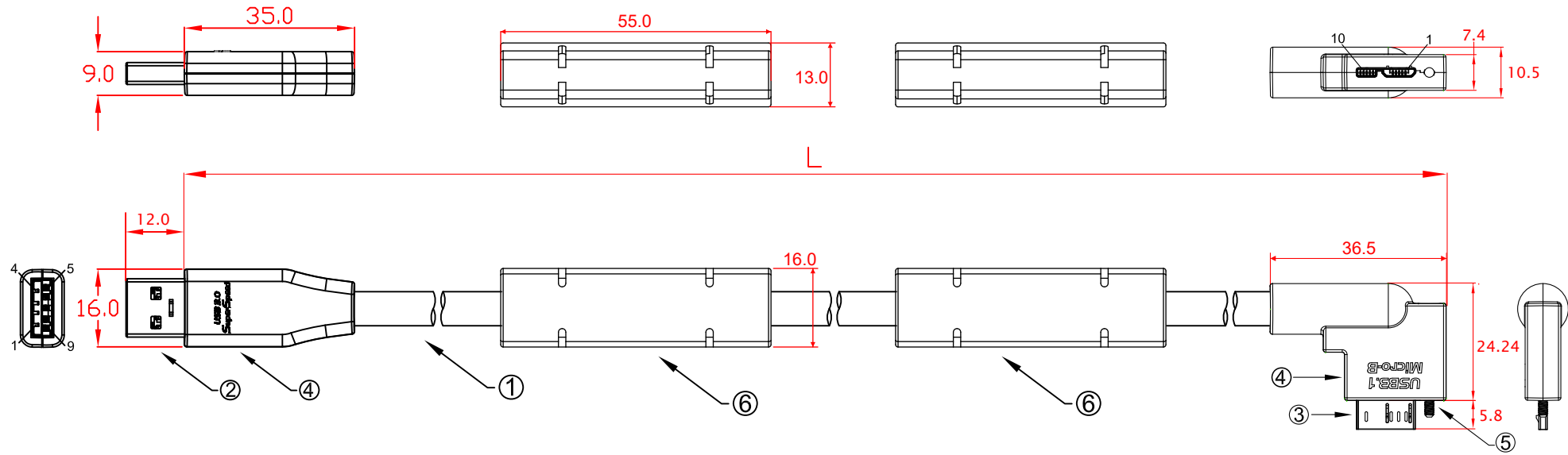


CBL-HFD3igMBH-XmRA
With short locking screws

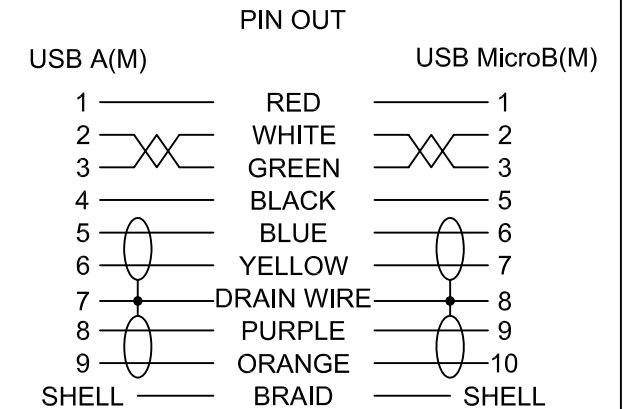


No	MATERIALS LIST:
1.	CABLE:UL20276 (2x(2x28AWG)+2x(2x28AWG)C) OD:7.0mm PUR JACKET COLOR:RED LILAC
2.	CONNECTOR:USB 3.0 A/M, 9P, BLUE INSULATOR SOLDER TYPE, NICKEL PLATED SHELL
3.	CONNECTOR:USB 3.0 MicroB/M, 10P, BLACK INSULATOR SOLDER TYPE, NICKEL PLATED SHELL
4.	ABS ASSEMBLY HOUSING, BLACK COLOR
5.	SCREW:#4x33 M2
6.	PVC MOLDED HOUSING, BLACK COLOR

Jargy part no.	Client part no.	Approved	SCALE	UNIT
CBL-HFD3igMBS-xmRA				mm
Drawing Name		Drawn	Date	REV.
USB 3.0 A to MicroB Cable M/M				1.0

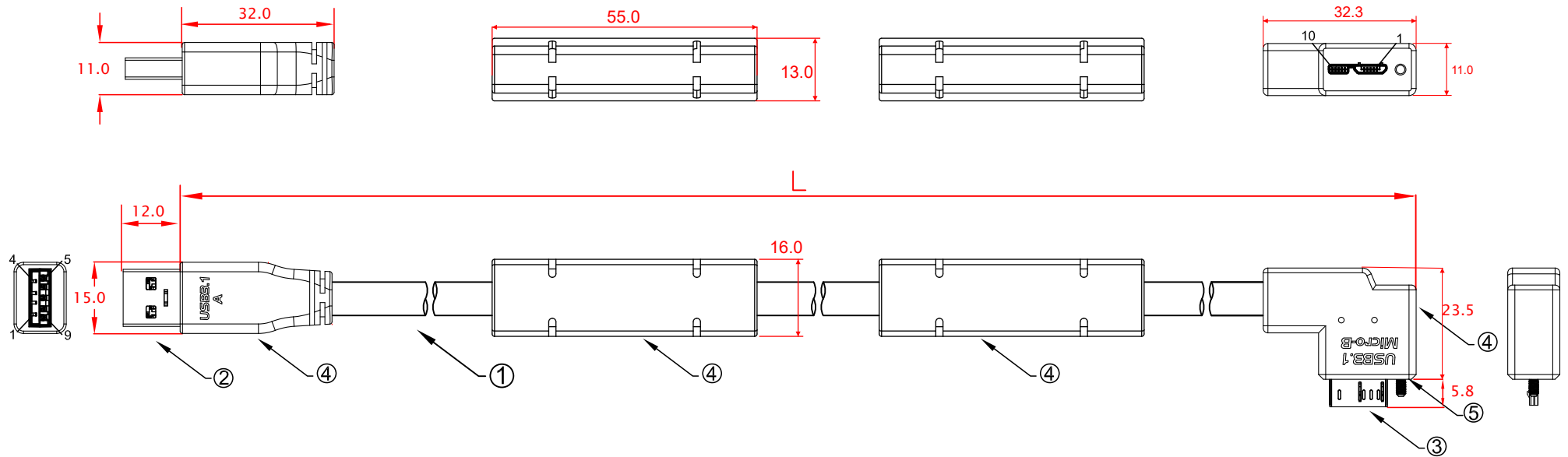


- L:
- CBL-HFD3igMBSN-7mRA 7000mm±50mm
 - CBL-HFD3igMBSN-8mRA 8000mm±50mm
 - CBL-HFD3igMBSN-9mRA 9000mm±50mm



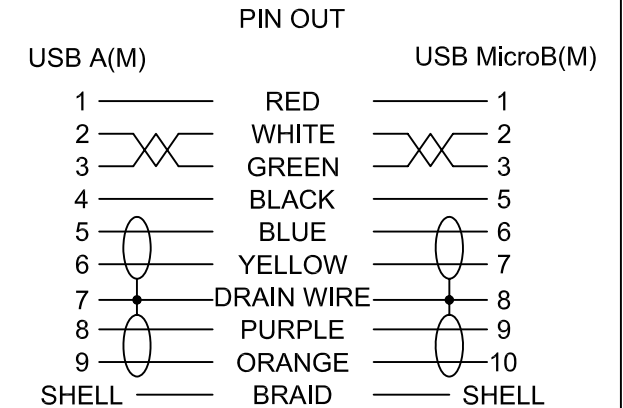
No	MATERIALS LIST:
1.	CABLE:UL20276 (2x(2x28AWG)+2x(2x28AWG)C) OD:7.0mm PUR JACKET COLOR:RED LILAC
2.	CONNECTOR:USB 3.0 A/M, 9P, BLUE INSULATOR SOLDER TYPE, NICKEL PLATED SHELL
3.	CONNECTOR:USB 3.0 MicroB/M, 10P, BLACK INSULATOR SOLDER TYPE, NICKEL PLATED SHELL
4.	ABS ASSEMBLY HOUSING, BLACK COLOR
5.	SCREW:#4x23.32 M2
6.	PVC MOLDED HOUSING, BLACK COLOR

Jargy part no.	Client part no.	Approved	SCALE	UNIT
CBL-HFD3igMBSN-xmRA				mm
Drawing Name		Drawn	Date	REV.
USB 3.0 A to MicroB Cable M/M				1.0



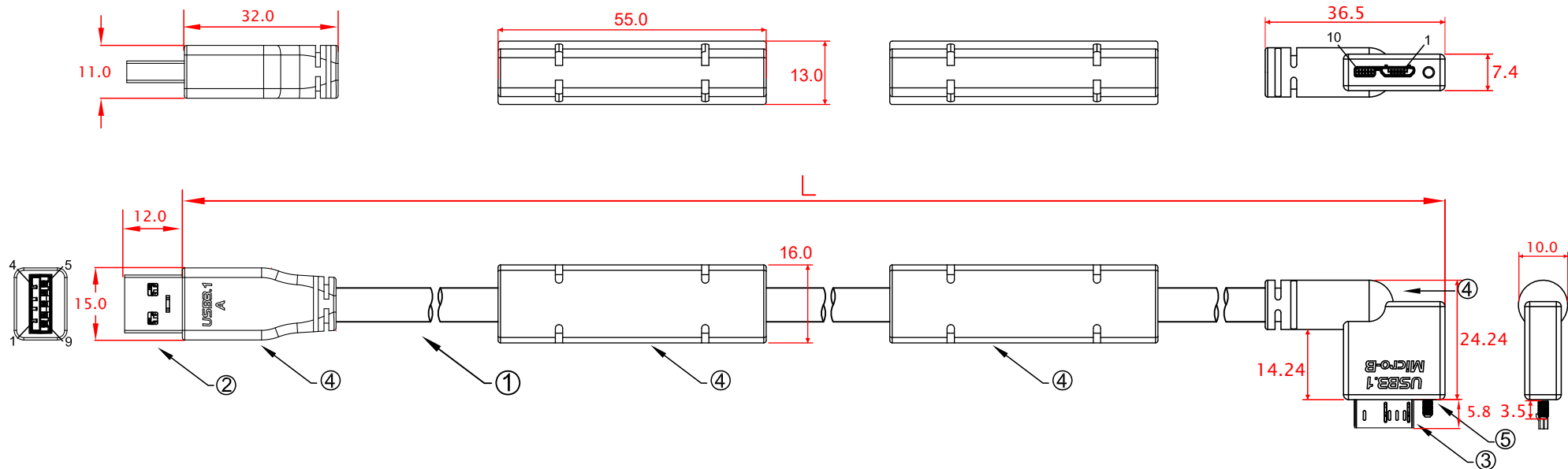
L:

CBL-HFD3igMBH-7mRA	7000mm±50mm
CBL-HFD3igMBH-8mRA	8000mm±50mm
CBL-HFD3igMBH-9mRA	9000mm±50mm

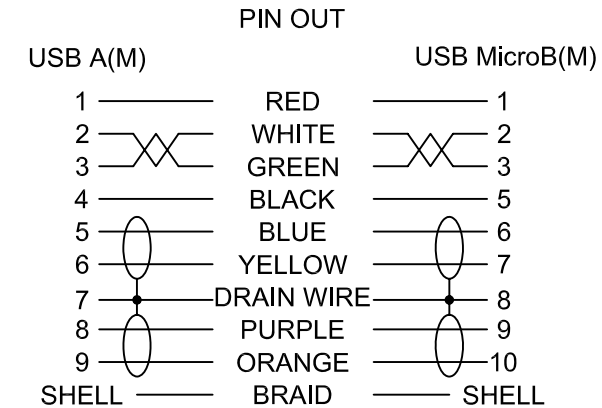


No	MATERIALS LIST:
1.	CABLE:UL20276 (2x(2x28AWG)+2x(2x28AWG)C) OD:7.0mm PUR JACKET COLOR:RED LILAC
2.	CONNECTOR:USB 3.0 A/M, 9P, BLUE INSULATOR SOLDER TYPE, NICKEL PLATED SHELL
3.	CONNECTOR:USB 3.0 MicroB/M, 10P, BLACK INSULATOR SOLDER TYPE, NICKEL PLATED SHELL
4.	PVC MOLDED HOUSING, BLACK COLOR
5.	SCREW:#4x23.32 M2
6.	

Jargy part no.	Client part no.	Approved	SCALE	UNIT
CBL-HFD3igMBH-xmRA				mm
Drawing Name		Drawn	Date	REV.
USB 3.0 A to MicroB Cable M/M				1.0

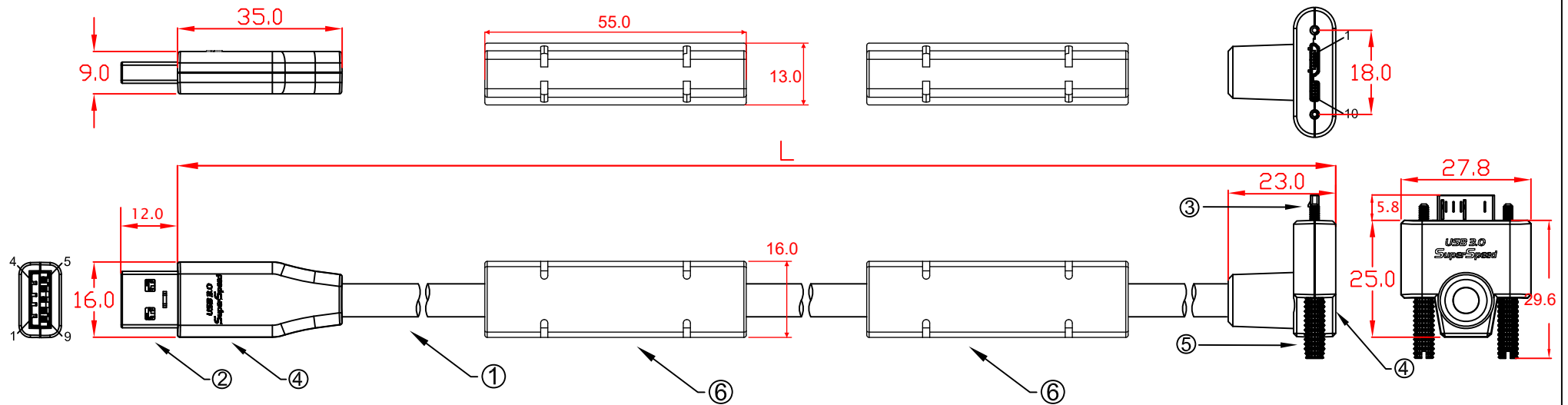


L:
 CBL-HFD3igMBHM-7mRA 7000mm±50mm
 CBL-HFD3igMBHM-8mRA 8000mm±50mm
 CBL-HFD3igMBHM-9mRA 9000mm±50mm



No	MATERIALS LIST:
1.	CABLE:UL20276 (2x(2x28AWG)+2x(2x28AWG)C) OD:7.0mm PUR JACKET COLOR:RED LILAC
2.	CONNECTOR:USB 3.0 A/M, 9P, BLUE INSULATOR SOLDER TYPE, NICKEL PLATED SHELL
3.	CONNECTOR:USB 3.0 MicroB/M, 10P, BLACK INSULATOR SOLDER TYPE, NICKEL PLATED SHELL
4.	PVC MOLDED HOUSING, BLACK COLOR
5.	SCREW:#4x23.32 M2
6.	

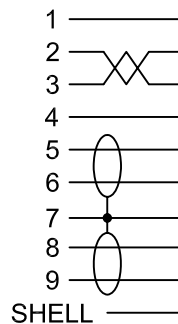
Jargy part no.	Client part no.	Approved	SCALE	UNIT
CBL-HFD3igMBHM-xmRA				mm
Drawing Name		Drawn	Date	REV.
USB 3.0 A to MicroB Cable M/M				1.0



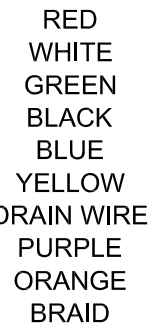
L:

CBL-HFD3igMBS-7mUA	7000mm±50mm
CBL-HFD3igMBS-8mUA	8000mm±50mm
CBL-HFD3igMBS-9mUA	9000mm+50mm

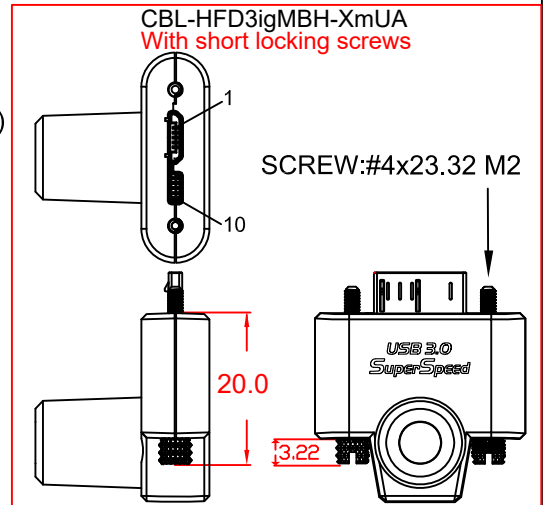
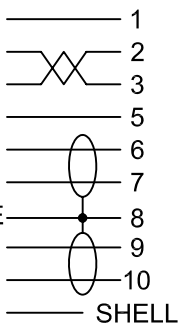
USB A(M)



PIN OUT



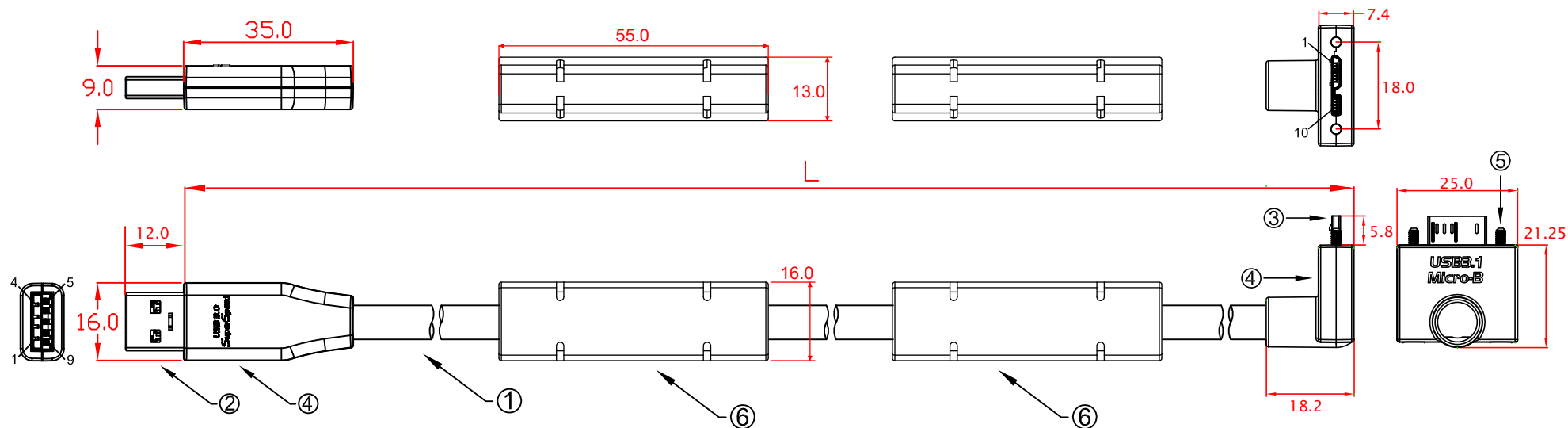
USB MicroB(M)



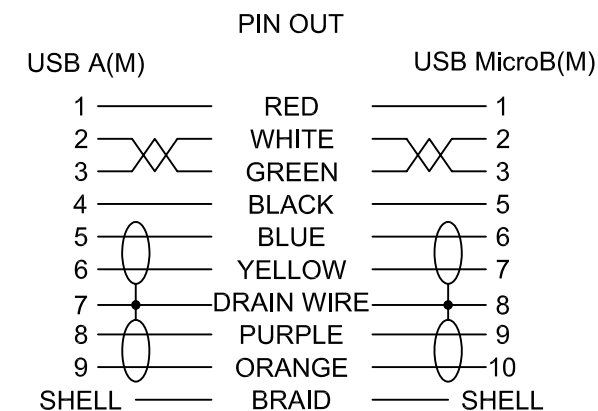
No	MATERIALS LIST:
1.	CABLE:UL20276 (2x(2x28AWG)+2x(2x28AWG)C) OD:7.0mm PUR JACKET COLOR:RED LILAC
2.	CONNECTOR:USB 3.0 A/M, 9P, BLUE INSULATOR SOLDER TYPE, NICKEL PLATED SHELL
3.	CONNECTOR:USB 3.0 MicroB/M, 10P, BLACK INSULATOR SOLDER TYPE, NICKEL PLATED SHELL
4.	ABS ASSEMBLY HOUSING, BLACK COLOR
5.	SCREW:#4x33 M2
6.	PVC MOLDED HOUSING, BLACK COLOR

Jargy part no.	Client part no.	Approved	SCALE	UNIT
CBL-HFD3igMBS-xmUA				mm
Drawing Name		Drawn	Date	REV.
USB 3.0 A to MicroB Cable M/M				1.0

Mobile Computing **JARGY**

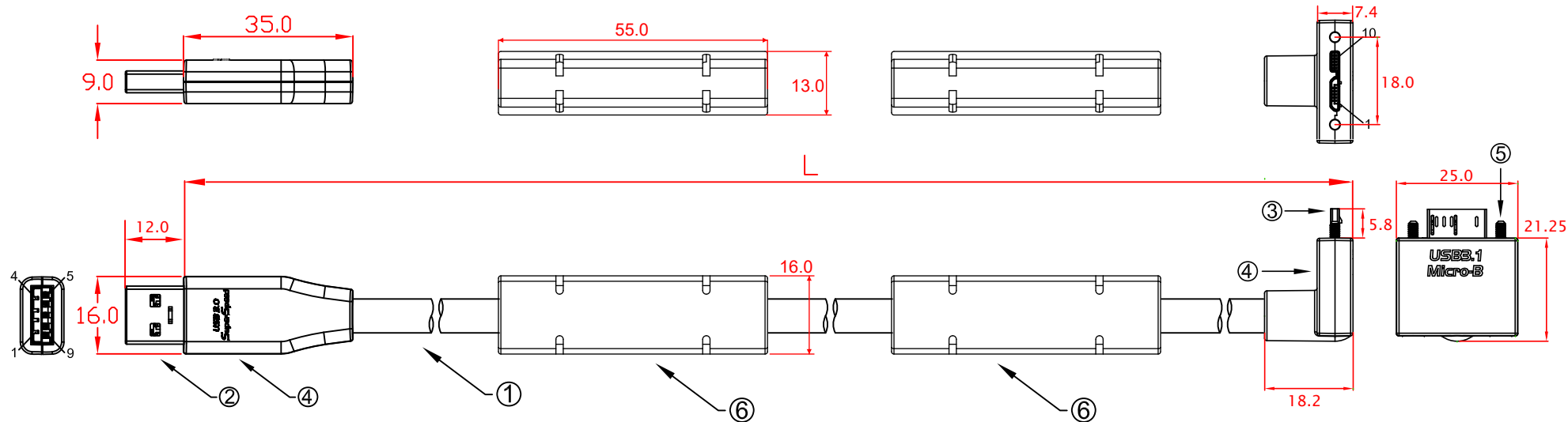


- L:
- CBL-HFD3igMBSN-7mUA 7000mm±50mm
 - CBL-HFD3igMBSN-8mUA 8000mm±50mm
 - CBL-HFD3igMBSN-9mUA 9000mm±50mm

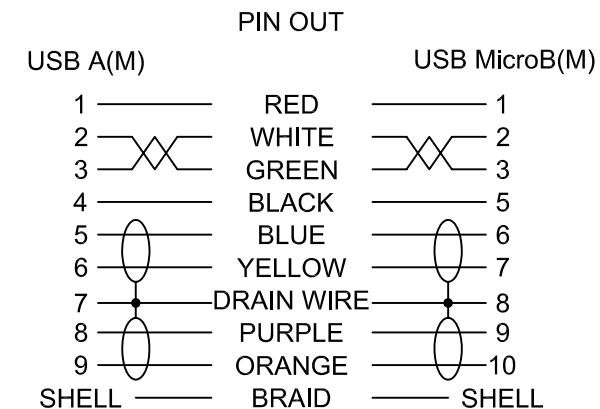


No	MATERIALS LIST:
1.	CABLE:UL20276 (2x(2x28AWG)+2x(2x28AWG)C) OD:7.0mm PUR JACKET COLOR:RED LILAC
2.	CONNECTOR:USB 3.0 A/M, 9P, BLUE INSULATOR SOLDER TYPE, NICKEL PLATED SHELL
3.	CONNECTOR:USB 3.0 MicroB/M, 10P, BLACK INSULATOR SOLDER TYPE, NICKEL PLATED SHELL
4.	ABS ASSEMBLY HOUSING, BLACK COLOR
5.	SCREW:#4x23.32 M2
6.	PVC MOLDED HOUSING, BLACK COLOR

Jargy part no.	Client part no.	Approved	SCALE	UNIT
CBL-HFD3igMBSN-xmUA				mm
Drawing Name		Drawn	Date	REV.
USB 3.0 A to MicroB Cable M/M				1.0

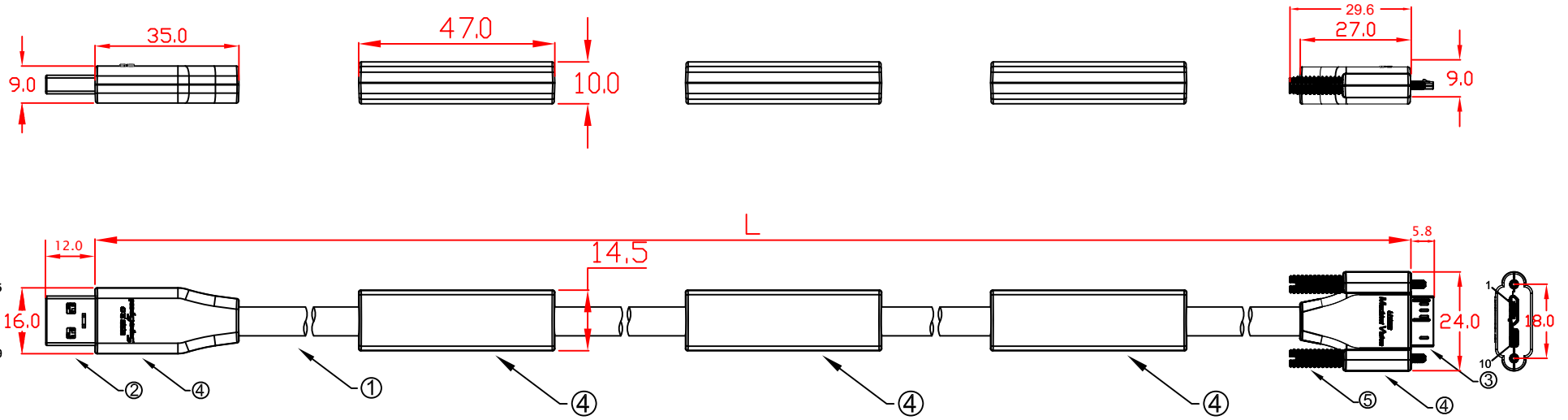


- L:
- CBL-HFD3igMBSN-7mDA 7000mm±50mm
 - CBL-HFD3igMBSN-8mDA 8000mm±50mm
 - CBL-HFD3igMBSN-9mDA 9000mm±50mm

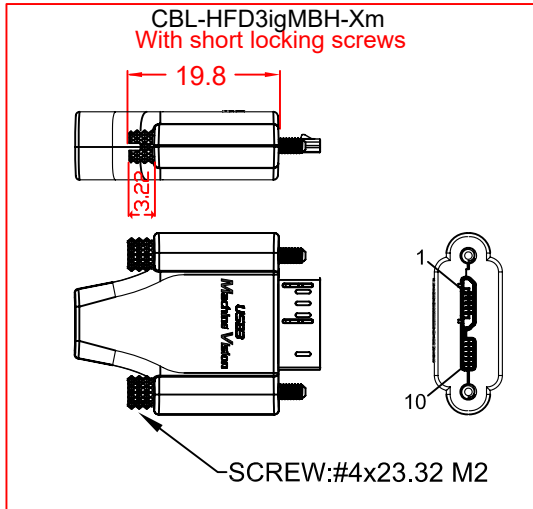
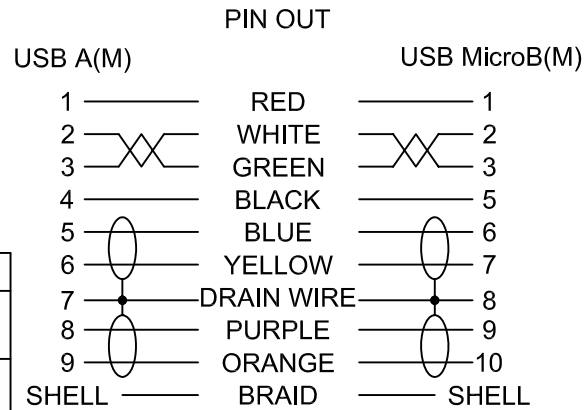


No	MATERIALS LIST:
1.	CABLE:UL20276 (2x(2x28AWG)+2x(2x28AWG)C) OD:7.0mm PUR JACKET COLOR:RED LILAC
2.	CONNECTOR:USB 3.0 A/M, 9P, BLUE INSULATOR SOLDER TYPE, NICKEL PLATED SHELL
3.	CONNECTOR:USB 3.0 MicroB/M, 10P, BLACK INSULATOR SOLDER TYPE, NICKEL PLATED SHELL
4.	ABS ASSEMBLY HOUSING, BLACK COLOR
5.	SCREW:#4x23.32 M2
6.	PVC MOLDED HOUSING, BLACK COLOR

Jargy part no.	Client part no.	Approved	SCALE	UNIT
CBL-HFD3igMBSN-xmDA				mm
Drawing Name		Drawn	Date	REV.
USB 3.0 A to MicroB Cable M/M				1.0

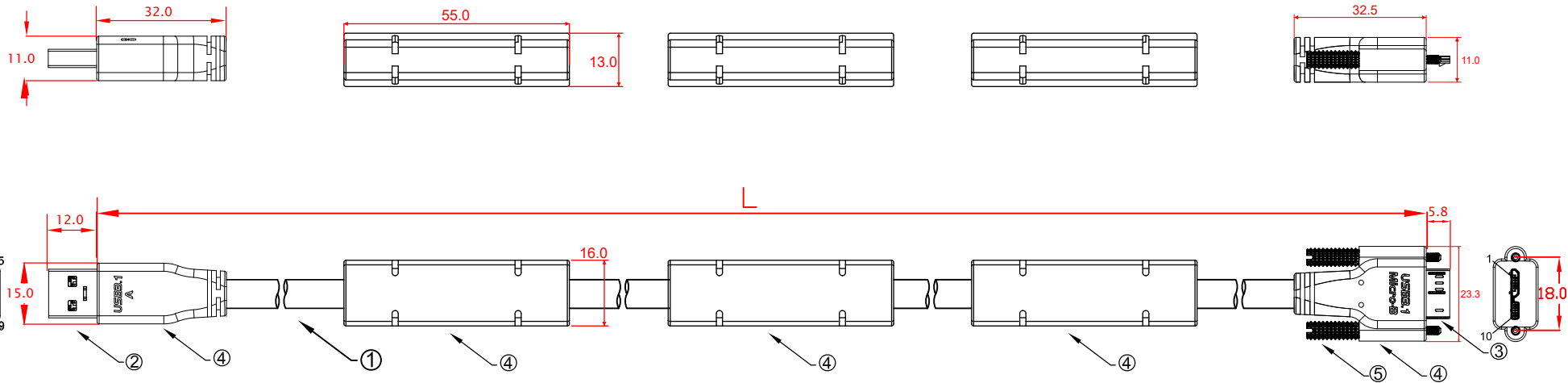


L:
 CBL-HFD3igMBS-10m 10000mm±50mm
 CBL-HFD3igMBS-11m 11000mm±50mm
 CBL-HFD3igMBS-12m 12000mm±50mm

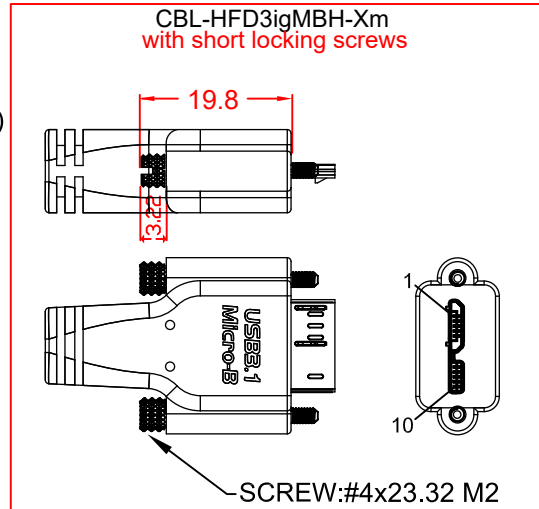
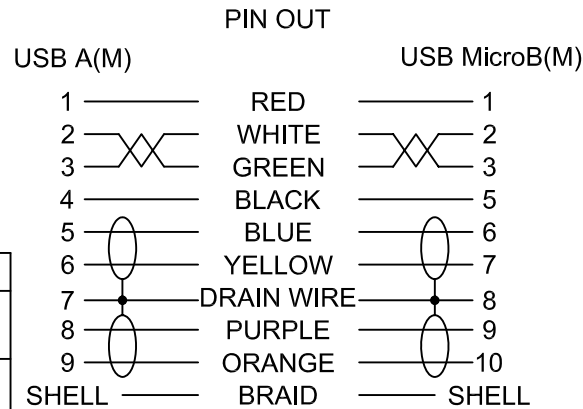


No	MATERIALS LIST:
1.	CABLE:UL20276 (2x(2x28AWG)+2x(2x28AWG)C) OD:7.0mm PUR JACKET COLOR:RED LILAC
2.	CONNECTOR:USB 3.0 A/M, 9P, BLUE INSULATOR SOLDER TYPE, NICKEL PLATED SHELL
3.	CONNECTOR:USB 3.0 MicroB/M, 10P, BLACK INSULATOR SOLDER TYPE, NICKEL PLATED SHELL
4.	ABS ASSEMBLY HOUSING, BLACK COLOR
5.	SCREW:#4x33 M2
6.	

Jargy part no.	Client part no.	Approved	SCALE	UNIT
CBL-HFD3igMBS-xm				mm
Drawing Name		Drawn	Date	REV.
USB 3.0 A to Micro-B Cable M/M				1.0

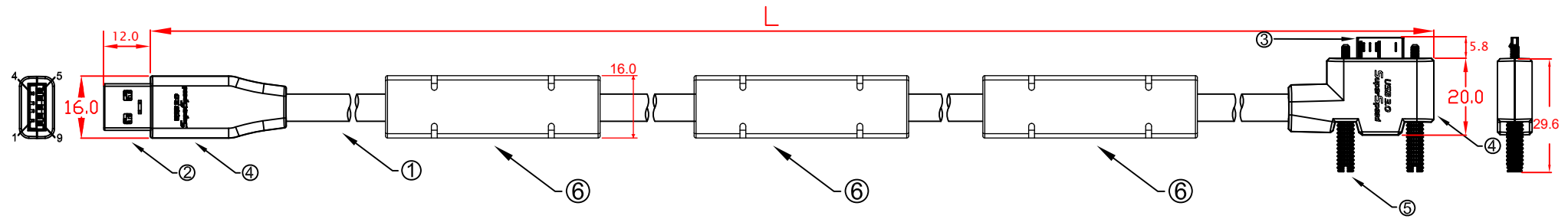
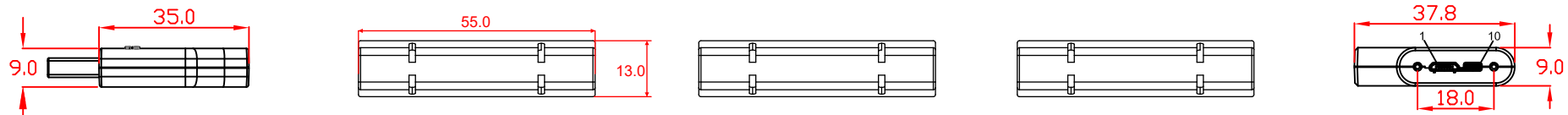


L:
 CBL-HFD3igMBS-10m 10000mm±50mm
 CBL-HFD3igMBS-11m 11000mm±50mm
 CBL-HFD3igMBS-12m 12000mm±50mm

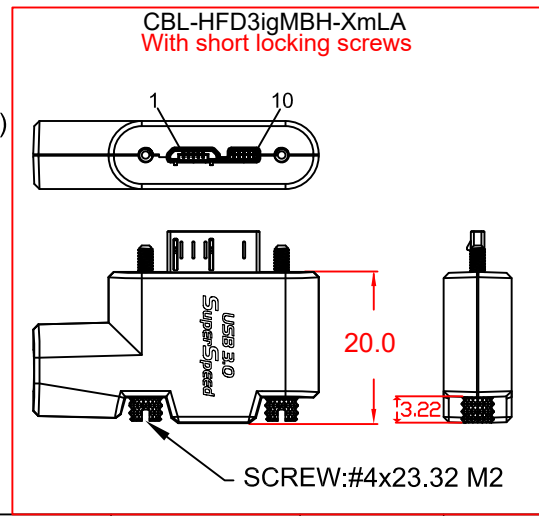
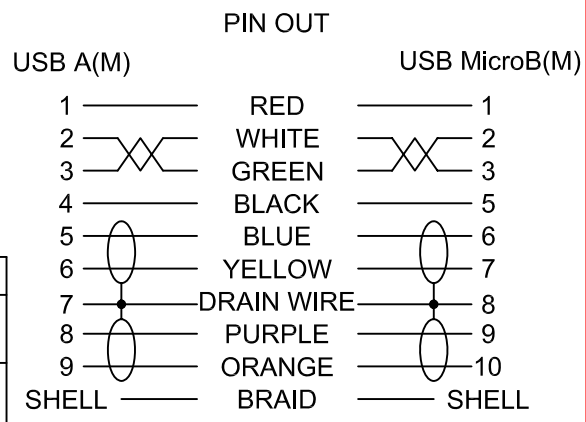


No	MATERIALS LIST:
1.	CABLE:UL20276 (2x(2x28AWG)+2x(2x28AWG)C) OD:7.0mm PUR JACKET COLOR:RED LILAC
2.	CONNECTOR:USB 3.0 A/M, 9P, BLUE INSULATOR SOLDER TYPE, NICKEL PLATED SHELL
3.	CONNECTOR:USB 3.0 MicroB/M, 10P, BLACK INSULATOR SOLDER TYPE, NICKEL PLATED SHELL
4.	PVC MOLDED HOUSING, BLACK COLOR
5.	SCREW:#4x33 M2
6.	

Jargy part no.	Client part no.	Approved	SCALE	UNIT
CBL-HFD3igMBS-xm				mm
Drawing Name		Drawn	Date	REV.
USB 3.0 A to Micro-B Cable M/M				1.0

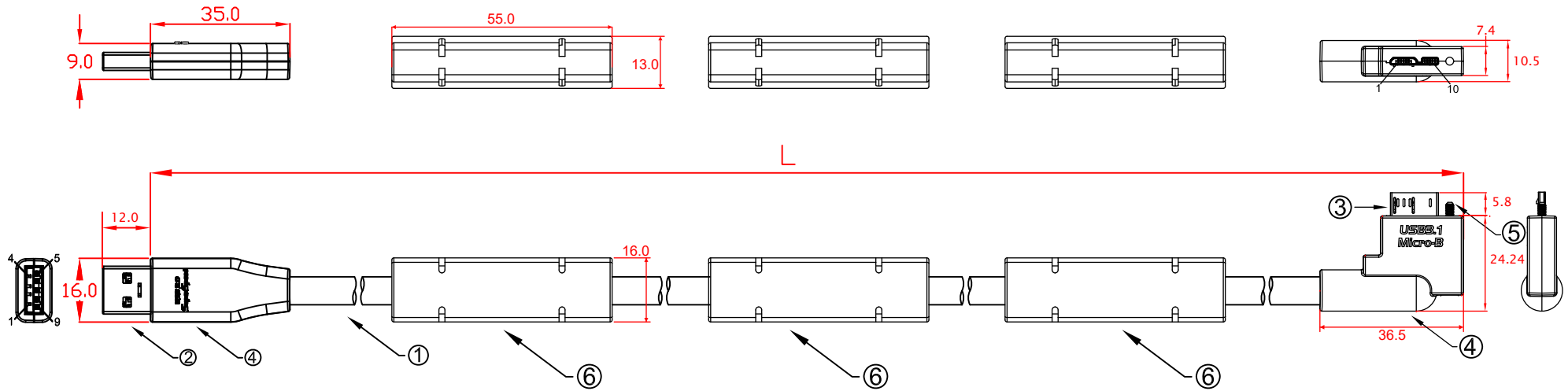


L:
 CBL-HFD3igMBS-10mLA 10000mm±50mm
 CBL-HFD3igMBS-11mLA 11000mm±50mm
 CBL-HFD3igMBS-12mLA 12000mm±50mm



No	MATERIALS LIST:
1.	CABLE:UL20276 (2x(2x28AWG)+2x(2x28AWG)C) OD:7.0mm PUR JACKET COLOR:RED LILAC
2.	CONNECTOR:USB 3.0 A/M, 9P, BLUE INSULATOR SOLDER TYPE, NICKEL PLATED SHELL
3.	CONNECTOR:USB 3.0 MicroB/M, 10P, BLACK INSULATOR SOLDER TYPE, NICKEL PLATED SHELL
4.	ABS ASSEMBLY HOUSING, BLACK COLOR
5.	SCREW:#4x33 M2
6.	PVC MOLDED HOUSING, BLACK COLOR

Jargy part no.	Client part no.	Approved	SCALE	UNIT
CBL-HFD3igMBS-xmLA				mm
Drawing Name		Drawn	Date	REV.
USB 3.0 A to Micro-B Cable M/M				1.0

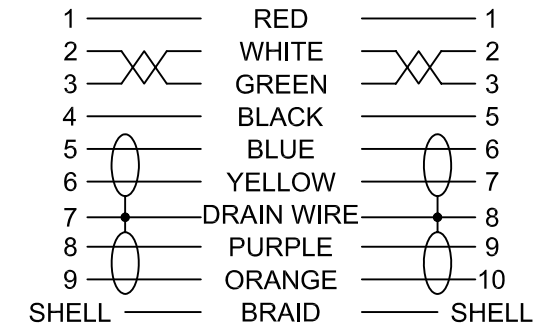


L:
 CBL-HFD3igMBSN-10mLA 10000mm±50mm
 CBL-HFD3igMBSN-11mLA 11000mm±50mm
 CBL-HFD3igMBSN-12mLA 12000mm±50mm

PIN OUT

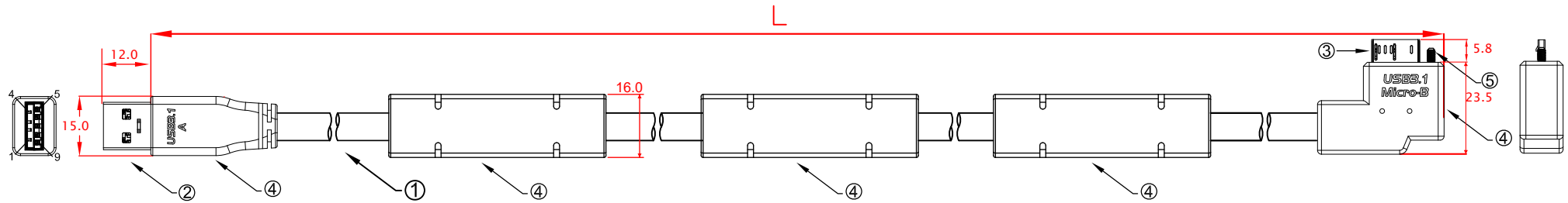
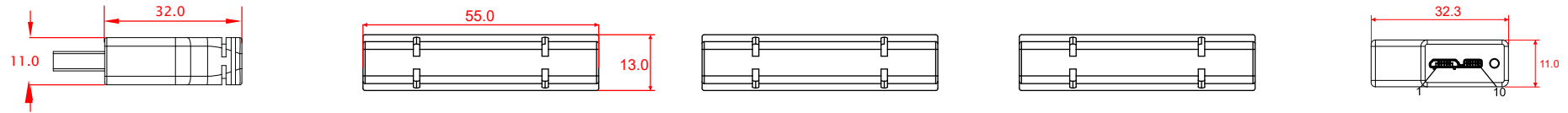
USB A(M)

USB MicroB(M)



No	MATERIALS LIST:
1.	CABLE:UL20276 (2x(2x28AWG)+2x(2x28AWG)C) OD:7.0mm PUR JACKET COLOR:RED LILAC
2.	CONNECTOR:USB 3.0 A/M, 9P, BLUE INSULATOR SOLDER TYPE, NICKEL PLATED SHELL
3.	CONNECTOR:USB 3.0 MicroB/M, 10P, BLACK INSULATOR SOLDER TYPE, NICKEL PLATED SHELL
4.	ABS ASSEMBLY HOUSING, BLACK COLOR
5.	SCREW:#4x23.32 M2
6.	PVC MOLDED HOUSING, BLACK COLOR

Jargy part no.	Client part no.	Approved	SCALE	UNIT
CBL-HFD3igMBSN-xmLA				mm
Drawing Name		Drawn	Date	REV.
USB 3.0 A to Micro-B Cable M/M				1.0



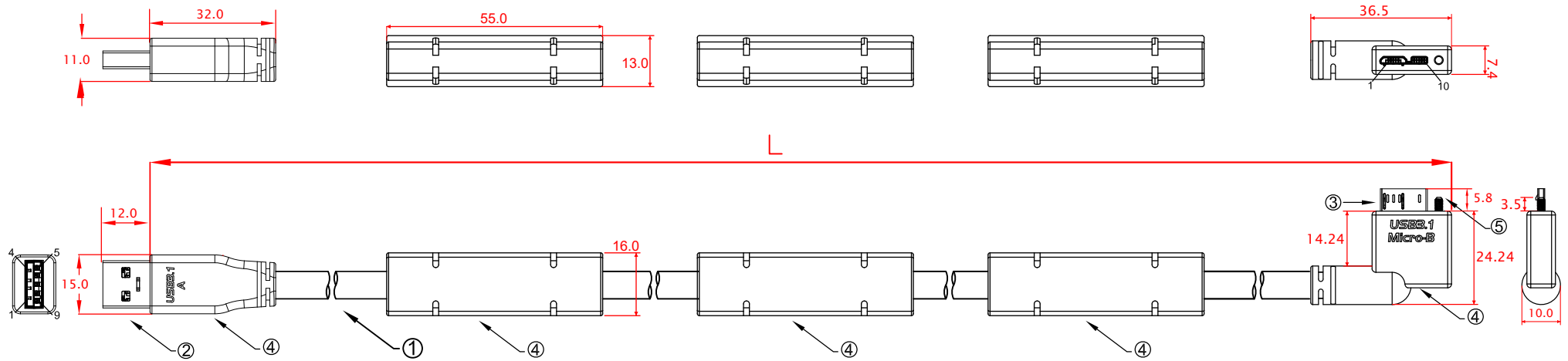
L:
 CBL-HFD3igMBH-10mLA 10000mm±50mm
 CBL-HFD3igMBH-11mLA 11000mm±50mm
 CBL-HFD3igMBH-12mLA 12000mm±50mm

PIN OUT

USB A(M)		USB MicroB(M)
1	RED	1
2	WHITE	2
3	GREEN	3
4	BLACK	5
5	BLUE	6
6	YELLOW	7
7	DRAIN WIRE	8
8	PURPLE	9
9	ORANGE	10
SHELL	BRAID	SHELL

No	MATERIALS LIST:
1.	CABLE:UL20276 (2x(2x28AWG)+2x(2x28AWG)C) OD:7.0mm PUR JACKET COLOR:RED LILAC
2.	CONNECTOR:USB 3.0 A/M, 9P, BLUE INSULATOR SOLDER TYPE, NICKEL PLATED SHELL
3.	CONNECTOR:USB 3.0 MicroB/M, 10P, BLACK INSULATOR SOLDER TYPE, NICKEL PLATED SHELL
4.	PVC MOLDED HOUSING, BLACK COLOR
5.	SCREW:#4x23.32 M2
6.	

Jargy part no.	Client part no.	Approved	SCALE	UNIT
CBL-HFD3igMBH-xmLA				mm
Drawing Name		Drawn	Date	REV.
USB 3.0 A to Micro-B Cable M/M				1.0



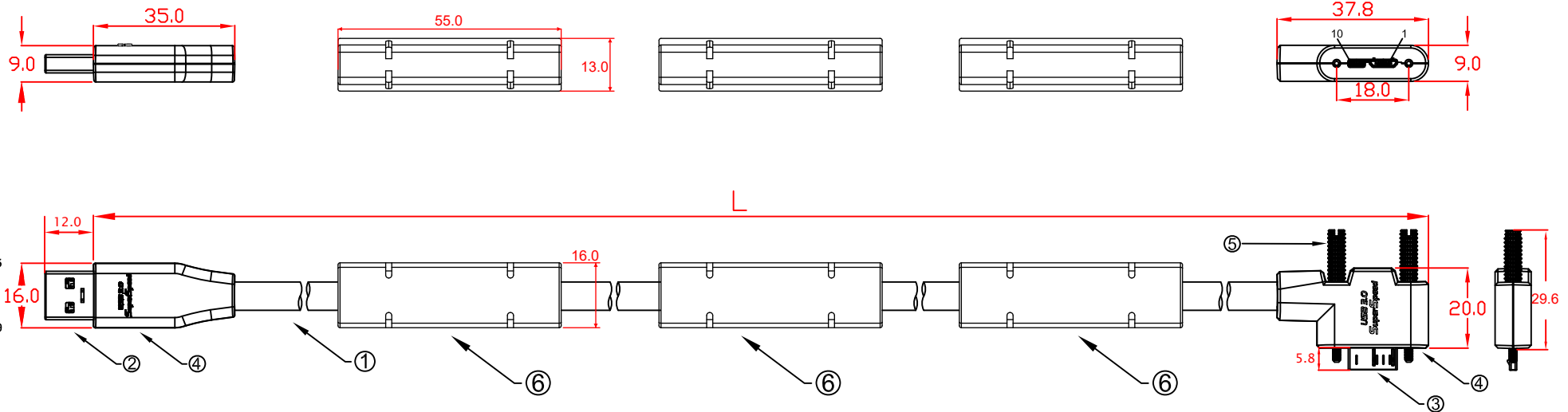
L:
 CBL-HFD3igMBHM-10mLA 10000mm±50mm
 CBL-HFD3igMBHM-11mLA 11000mm±50mm
 CBL-HFD3igMBHM-12mLA 12000mm±50mm

PIN OUT

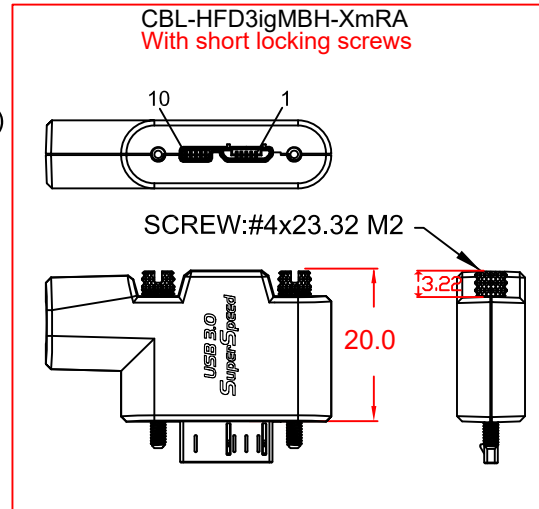
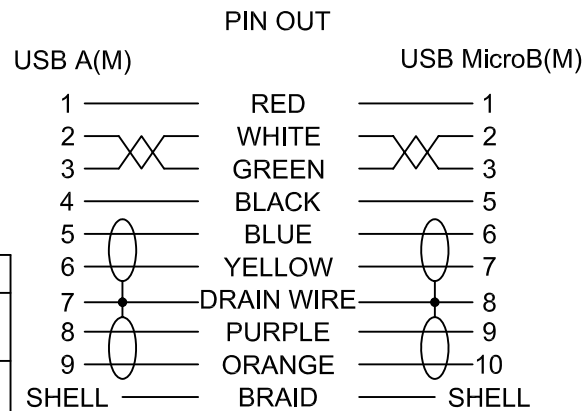
USB A(M)		USB MicroB(M)
1	RED	1
2	WHITE	2
3	GREEN	3
4	BLACK	5
5	BLUE	6
6	YELLOW	7
7	DRAIN WIRE	8
8	PURPLE	9
9	ORANGE	10
SHELL	BRAID	SHELL

No	MATERIALS LIST:
1.	CABLE:UL20276 (2x(2x28AWG)+2x(2x28AWG)C) OD:7.0mm PUR JACKET COLOR:RED LILAC
2.	CONNECTOR:USB 3.0 A/M, 9P, BLUE INSULATOR SOLDER TYPE, NICKEL PLATED SHELL
3.	CONNECTOR:USB 3.0 MicroB/M, 10P, BLACK INSULATOR SOLDER TYPE, NICKEL PLATED SHELL
4.	PVC MOLDED HOUSING, BLACK COLOR
5.	SCREW:#4x23.32 M2
6.	

Jargy part no.	Client part no.	Approved	SCALE	UNIT
CBL-HFD3igMBHM-xmLA				mm
Drawing Name		Drawn	Date	REV.
USB 3.0 A to Micro-B Cable M/M				1.0

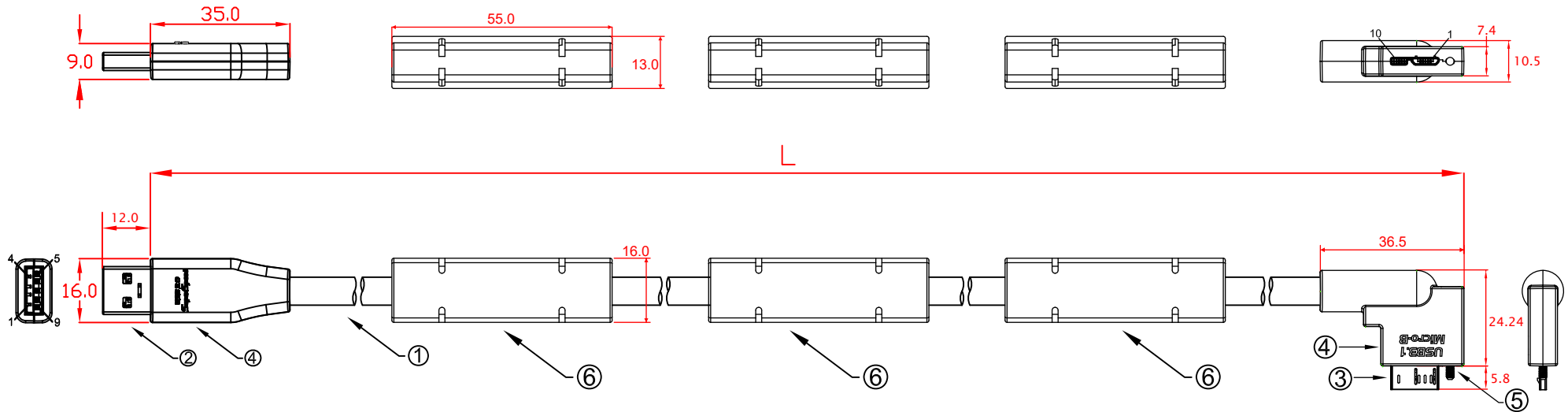


L:
 CBL-HFD3igMBS-10mRA 10000mm±50mm
 CBL-HFD3igMBS-11mRA 11000mm±50mm
 CBL-HFD3igMBS-12mRA 12000mm±50mm



No	MATERIALS LIST:
1.	CABLE:UL20276 (2x(2x28AWG)+2x(2x28AWG)C) OD:7.0mm PUR JACKET COLOR:RED LILAC
2.	CONNECTOR:USB 3.0 A/M, 9P, BLUE INSULATOR SOLDER TYPE, NICKEL PLATED SHELL
3.	CONNECTOR:USB 3.0 MicroB/M, 10P, BLACK INSULATOR SOLDER TYPE, NICKEL PLATED SHELL
4.	ABS ASSEMBLY HOUSING, BLACK COLOR
5.	SCREW:#4x33 M2
6.	PVC MOLDED HOUSING, BLACK COLOR

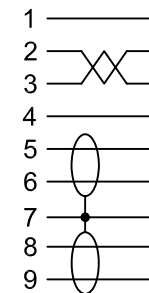
Jargy part no.	Client part no.	Approved	SCALE	UNIT
CBL-HFD3igMBS-xmRA				mm
Drawing Name		Drawn	Date	REV.
USB 3.0 A to Micro-B Cable M/M				1.0



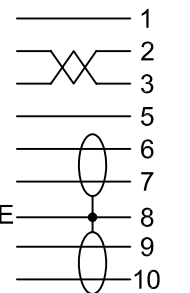
L:
 CBL-HFD3igMBSN-10mRA 10000mm±50mm
 CBL-HFD3igMBSN-11mRA 11000mm±50mm
 CBL-HFD3igMBSN-12mRA 12000mm±50mm

PIN OUT

USB A(M)



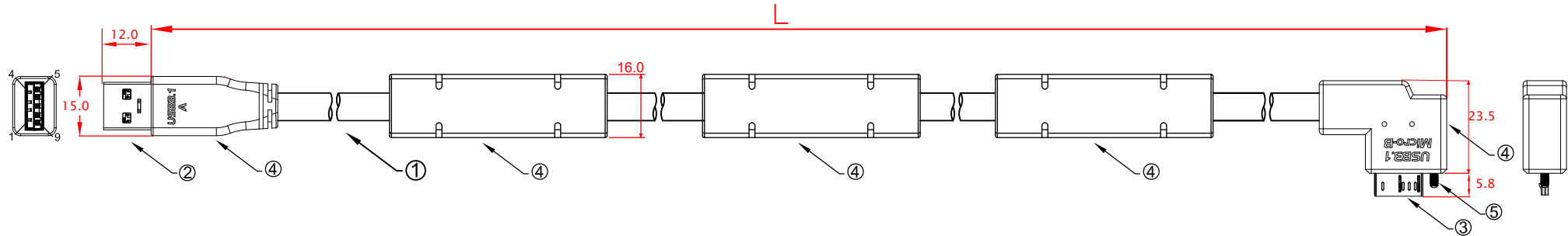
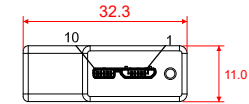
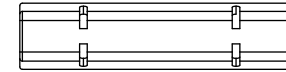
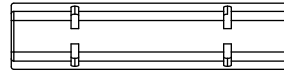
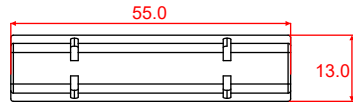
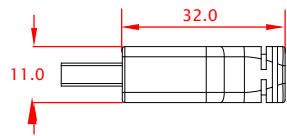
USB MicroB(M)



SHELL ——— BRAID ——— SHELL

No	MATERIALS LIST:
1.	CABLE:UL20276 (2x(2x28AWG)+2x(2x28AWG)C) OD:7.0mm PUR JACKET COLOR:RED LILAC
2.	CONNECTOR:USB 3.0 A/M, 9P, BLUE INSULATOR SOLDER TYPE, NICKEL PLATED SHELL
3.	CONNECTOR:USB 3.0 MicroB/M, 10P, BLACK INSULATOR SOLDER TYPE, NICKEL PLATED SHELL
4.	ABS ASSEMBLY HOUSING, BLACK COLOR
5.	SCREW:#4x23.32 M2
6.	PVC MOLDED HOUSING, BLACK COLOR

Jargy part no.	Client part no.	Approved	SCALE	UNIT
CBL-HFD3igMBSN-xmRA				mm
Drawing Name		Drawn	Date	REV.
USB 3.0 A to Micro-B Cable M/M				1.0

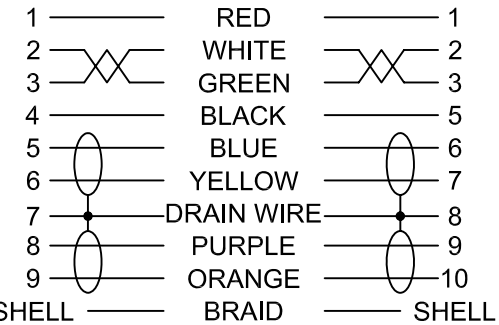


L:
 CBL-HFD3igMBH-10mRA 10000mm±50mm
 CBL-HFD3igMBH-11mRA 11000mm±50mm
 CBL-HFD3igMBH-12mRA 12000mm±50mm

PIN OUT

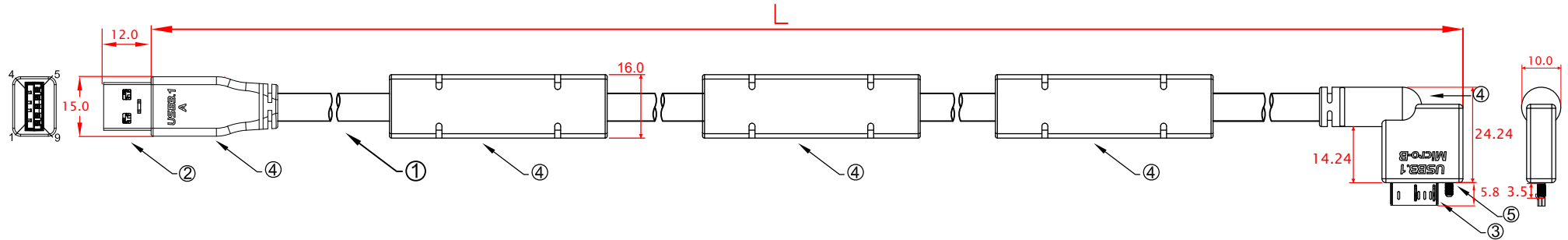
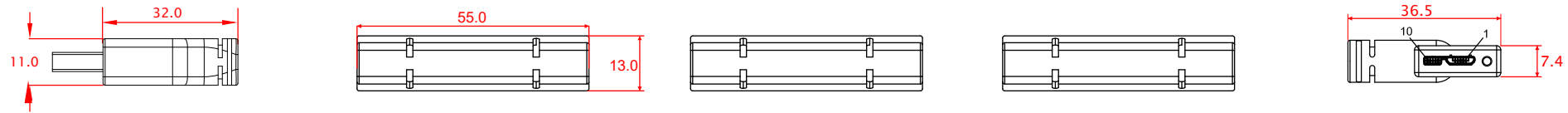
USB A(M)

USB MicroB(M)



No	MATERIALS LIST:
1.	CABLE:UL20276 (2x(2x28AWG)+2x(2x28AWG)C) OD:7.0mm PUR JACKET COLOR:RED LILAC
2.	CONNECTOR:USB 3.0 A/M, 9P, BLUE INSULATOR SOLDER TYPE, NICKEL PLATED SHELL
3.	CONNECTOR:USB 3.0 MicroB/M, 10P, BLACK INSULATOR SOLDER TYPE, NICKEL PLATED SHELL
4.	PVC MOLDED HOUSING, BLACK COLOR
5.	SCREW:#4x23.32 M2
6.	

Jargy part no.	Client part no.	Approved	SCALE	UNIT
CBL-HFD3igMBH-xmRA				mm
Drawing Name		Drawn	Date	REV.
USB 3.0 A to Micro-B Cable M/M				1.0



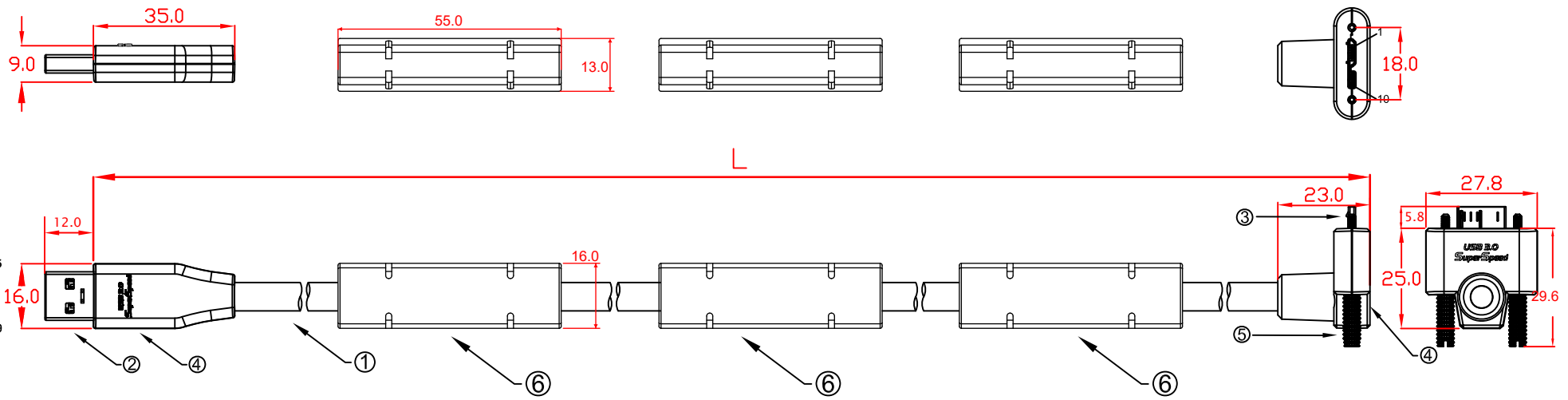
L:
 CBL-HFD3igMBHM-10mRA 10000mm±50mm
 CBL-HFD3igMBHM-11mRA 11000mm±50mm
 CBL-HFD3igMBHM-12mRA 12000mm±50mm

PIN OUT

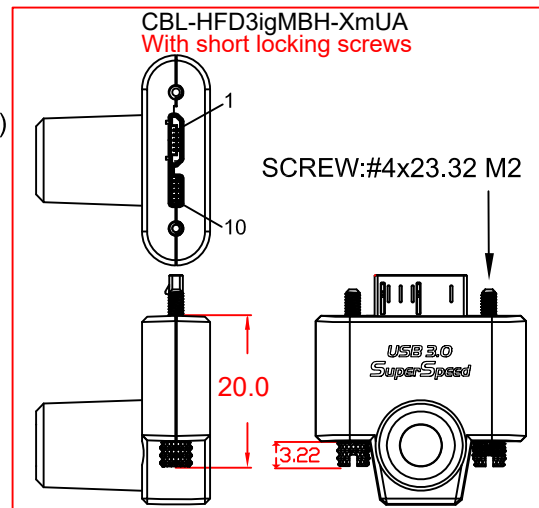
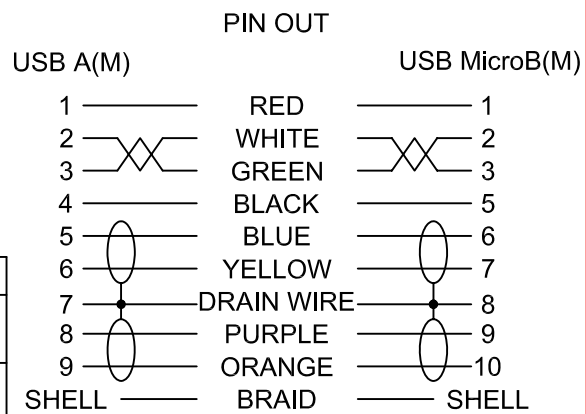
USB A(M)		USB MicroB(M)
1	RED	1
2	WHITE	2
3	GREEN	3
4	BLACK	5
5	BLUE	6
6	YELLOW	7
7	DRAIN WIRE	8
8	PURPLE	9
9	ORANGE	10
SHELL	BRAID	SHELL

No	MATERIALS LIST:
1.	CABLE:UL20276 (2x(2x28AWG)+2x(2x28AWG)C) OD:7.0mm PUR JACKET COLOR:RED LILAC
2.	CONNECTOR:USB 3.0 A/M, 9P, BLUE INSULATOR SOLDER TYPE, NICKEL PLATED SHELL
3.	CONNECTOR:USB 3.0 MicroB/M, 10P, BLACK INSULATOR SOLDER TYPE, NICKEL PLATED SHELL
4.	PVC MOLDED HOUSING, BLACK COLOR
5.	SCREW:#4x23.32 M2
6.	

Jargy part no.	Client part no.	Approved	SCALE	UNIT
CBL-HFD3igMBHM-xmRA				mm
Drawing Name		Drawn	Date	REV.
USB 3.0 A to Micro-B Cable M/M				1.0

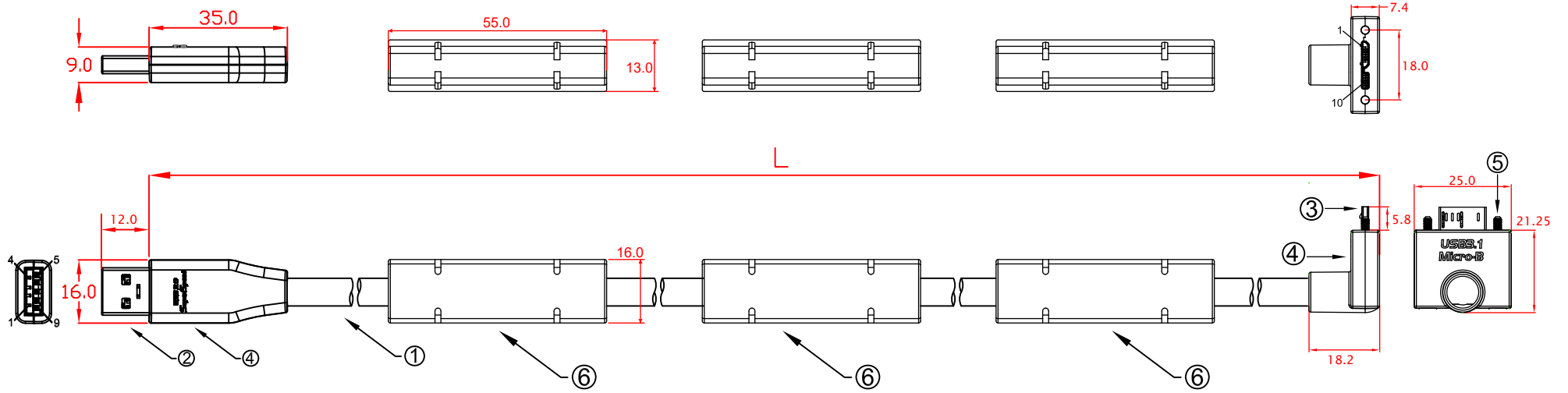


L:
 CBL-HFD3igMBS-10mUA 10000mm±50mm
 CBL-HFD3igMBS-11mUA 11000mm±50mm
 CBL-HFD3igMBS-12mUA 12000mm±50mm



No	MATERIALS LIST:
1.	CABLE:UL20276 (2x(2x28AWG)+2x(2x28AWG)C) OD:7.0mm PUR JACKET COLOR:RED LILAC
2.	CONNECTOR:USB 3.0 A/M, 9P, BLUE INSULATOR SOLDER TYPE, NICKEL PLATED SHELL
3.	CONNECTOR:USB 3.0 MicroB/M, 10P, BLACK INSULATOR SOLDER TYPE, NICKEL PLATED SHELL
4.	ABS ASSEMBLY HOUSING, BLACK COLOR
5.	SCREW:#4x33 M2
6.	PVC MOLDED HOUSING, BLACK COLOR

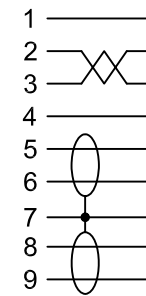
Jargy part no.	Client part no.	Approved	SCALE	UNIT
CBL-HFD3igMBS-xmUA				mm
Drawing Name		Drawn	Date	REV.
USB 3.0 A to Micro-B Cable M/M				1.0



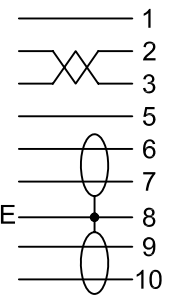
L:
 CBL-HFD3igMBSN-10mUA 10000mm±50mm
 CBL-HFD3igMBSN-11mUA 11000mm±50mm
 CBL-HFD3igMBSN-12mUA 12000mm±50mm

PIN OUT

USB A(M)

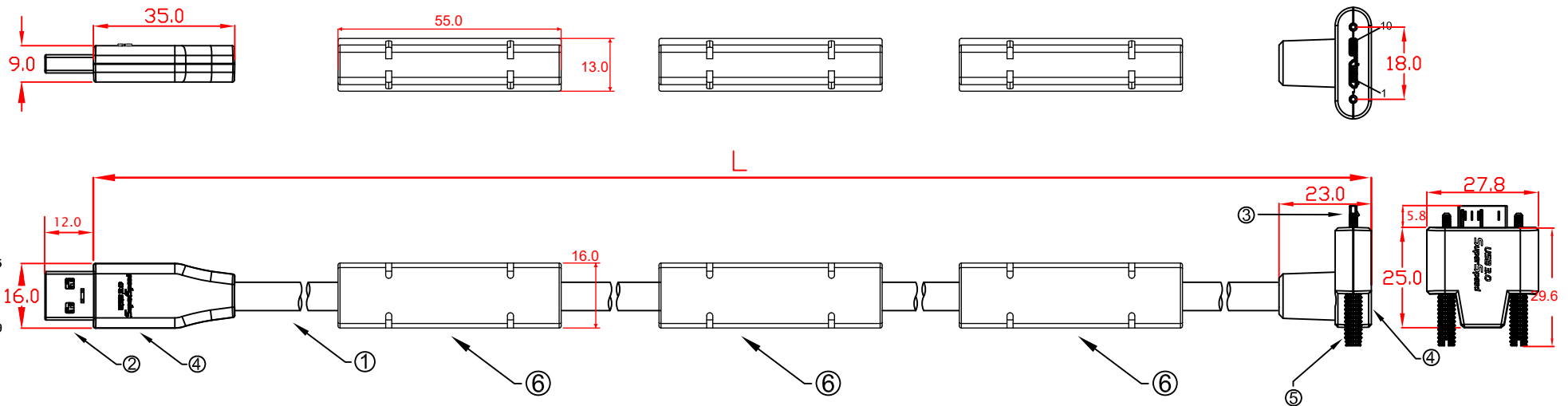


USB MicroB(M)

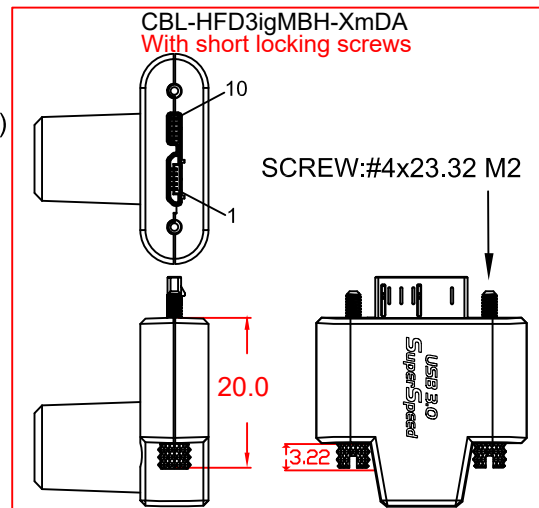
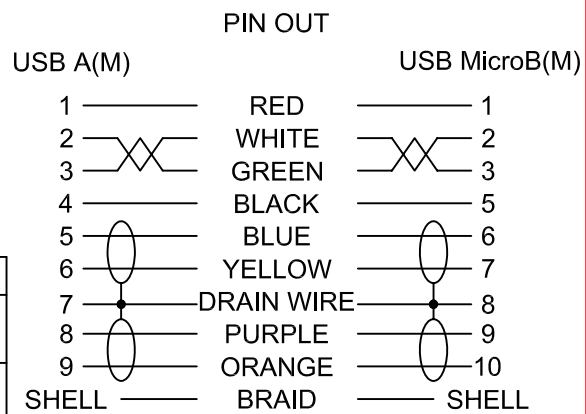


No	MATERIALS LIST:
1.	CABLE:UL20276 (2x(2x28AWG)+2x(2x28AWG)C) OD:7.0mm PUR JACKET COLOR:RED LILAC
2.	CONNECTOR:USB 3.0 A/M, 9P, BLUE INSULATOR SOLDER TYPE, NICKEL PLATED SHELL
3.	CONNECTOR:USB 3.0 MicroB/M, 10P, BLACK INSULATOR SOLDER TYPE, NICKEL PLATED SHELL
4.	ABS ASSEMBLY HOUSING, BLACK COLOR
5.	SCREW:#4x23.32 M2
6.	PVC MOLDED HOUSING, BLACK COLOR

Jargy part no.	Client part no.	Approved	SCALE	UNIT
CBL-HFD3igMBSN-xmUA				mm
Drawing Name		Drawn	Date	REV.
USB 3.0 A to Micro-B Cable M/M				1.0

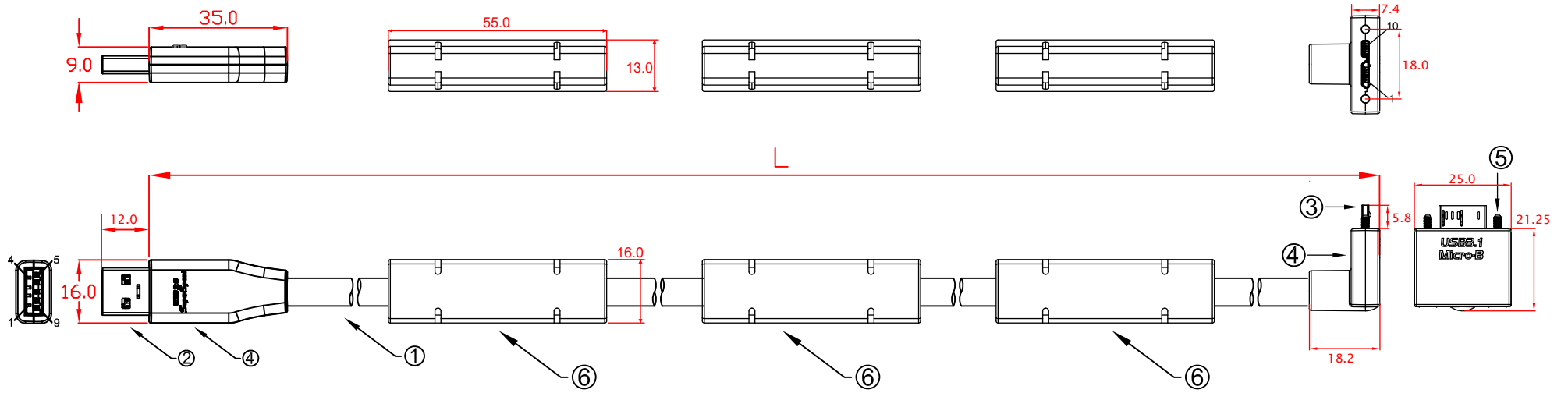


L:
 CBL-HFD3igMBS-10mDA 10000mm±50mm
 CBL-HFD3igMBS-11mDA 11000mm±50mm
 CBL-HFD3igMBS-12mDA 12000mm±50mm



No	MATERIALS LIST:
1.	CABLE:UL20276 (2x(2x28AWG)+2x(2x28AWG)C) OD:7.0mm PUR JACKET COLOR:RED LILAC
2.	CONNECTOR:USB 3.0 A/M, 9P, BLUE INSULATOR SOLDER TYPE, NICKEL PLATED SHELL
3.	CONNECTOR:USB 3.0 MicroB/M, 10P, BLACK INSULATOR SOLDER TYPE, NICKEL PLATED SHELL
4.	ABS ASSEMBLY HOUSING, BLACK COLOR
5.	SCREW:#4x33 M2
6.	PVC MOLDED HOUSING, BLACK COLOR

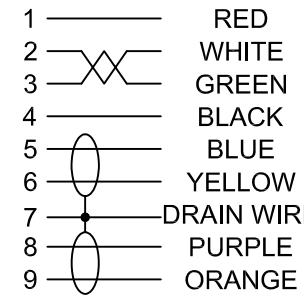
Jargy part no.	Client part no.	Approved	SCALE	UNIT
CBL-HFD3igMBS-xmDA				mm
Drawing Name		Drawn	Date	REV.
USB 3.0 A to Micro-B Cable M/M				1.0



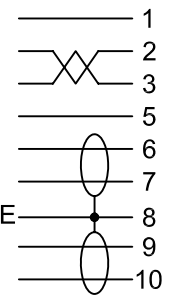
L:
 CBL-HFD3igMBSN-10mDA 10000mm±50mm
 CBL-HFD3igMBSN-11mDA 11000mm±50mm
 CBL-HFD3igMBSN-12mDA 12000mm±50mm

PIN OUT

USB A(M)

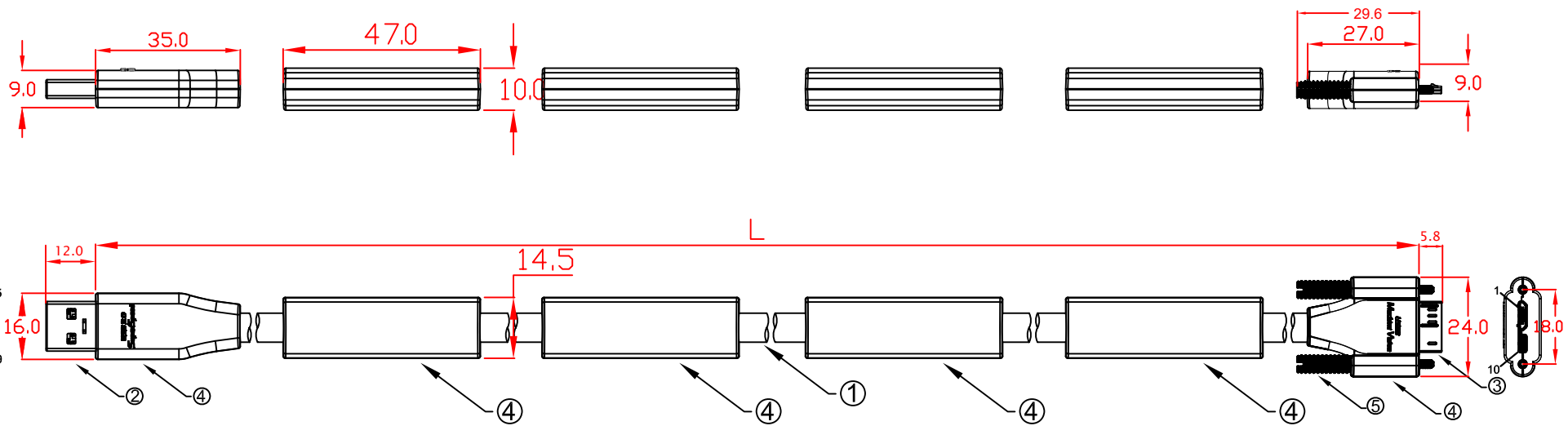


USB MicroB(M)

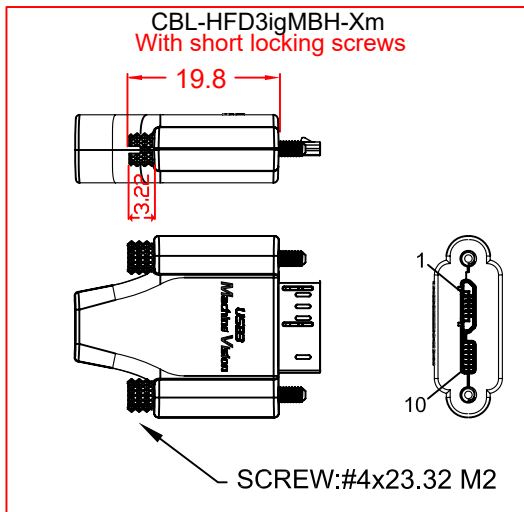
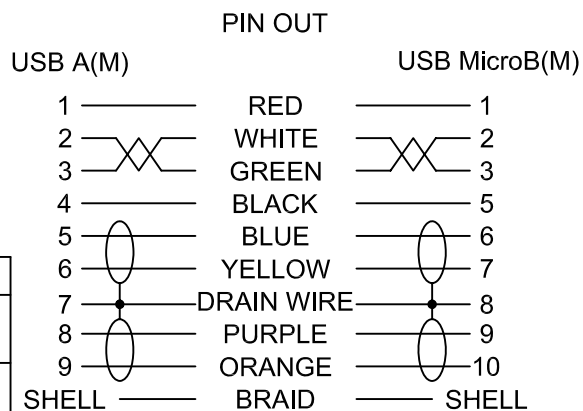


No	MATERIALS LIST:
1.	CABLE:UL20276 (2x(2x28AWG)+2x(2x28AWG)C) OD:7.0mm PUR JACKET COLOR:RED LILAC
2.	CONNECTOR:USB 3.0 A/M, 9P, BLUE INSULATOR SOLDER TYPE, NICKEL PLATED SHELL
3.	CONNECTOR:USB 3.0 MicroB/M, 10P, BLACK INSULATOR SOLDER TYPE, NICKEL PLATED SHELL
4.	ABS ASSEMBLY HOUSING, BLACK COLOR
5.	SCREW:#4x23.32 M2
6.	PVC MOLDED HOUSING, BLACK COLOR

Jargy part no.	Client part no.	Approved	SCALE	UNIT
CBL-HFD3igMBSN-xmDA				mm
Drawing Name		Drawn	Date	REV.
USB 3.0 A to Micro-B Cable M/M				1.0

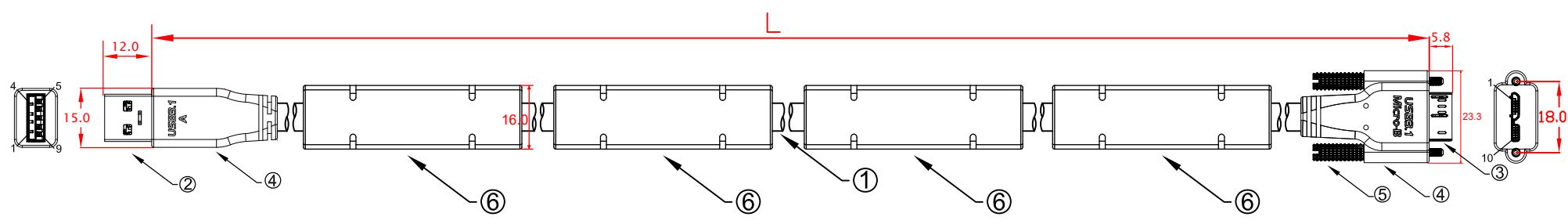
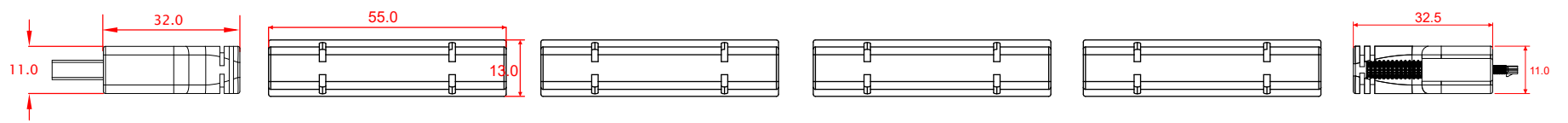


L:
 CBL-HFD3igMBS-13m 13000mm±50mm
 CBL-HFD3igMBS-14m 14000mm±50mm
 CBL-HFD3igMBS-15m 15000mm±50mm

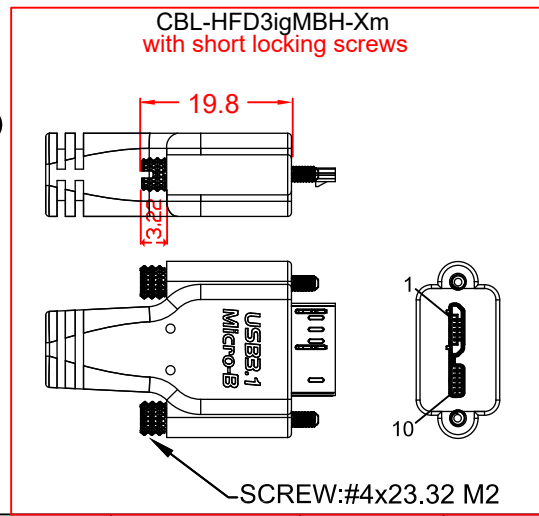
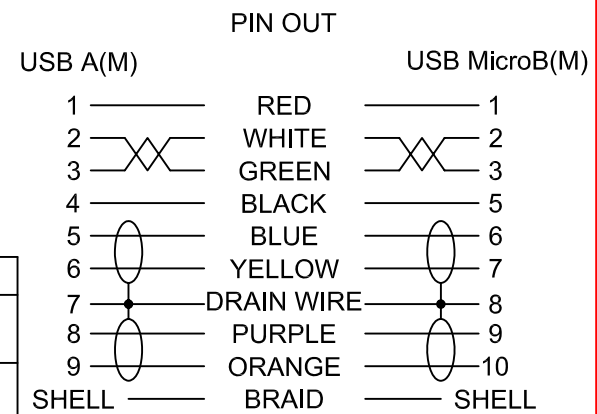


No	MATERIALS LIST:
1.	CABLE:UL20276 (2x(2x28AWG)+2x(2x28AWG)C) OD:7.0mm PUR JACKET COLOR:RED LILAC
2.	CONNECTOR:USB 3.0 A/M, 9P, BLUE INSULATOR SOLDER TYPE, NICKEL PLATED SHELL
3.	CONNECTOR:USB 3.0 MicroB/M, 10P, BLACK INSULATOR SOLDER TYPE, NICKEL PLATED SHELL
4.	ABS ASSEMBLY HOUSING, BLACK COLOR
5.	SCREW:#4x33 M2
6.	

Jargy part no.	Client part no.	Approved	SCALE	UNIT
CBL-HFD3igMBS-xm				mm
Drawing Name		Drawn	Date	REV.
USB 3.0 A to Micro-B Cable M/M				1.0

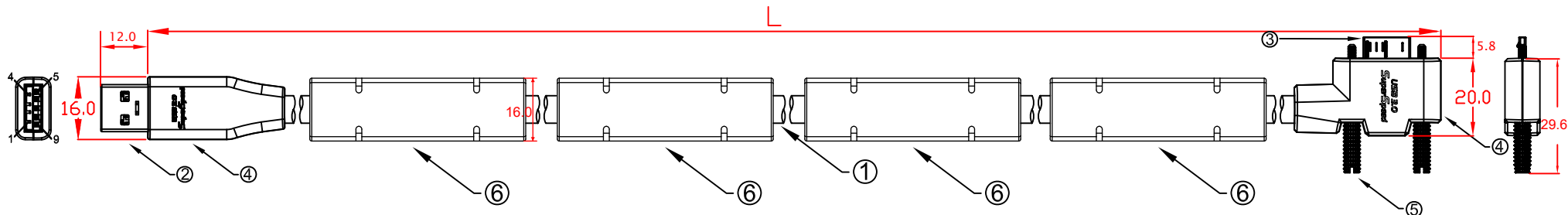
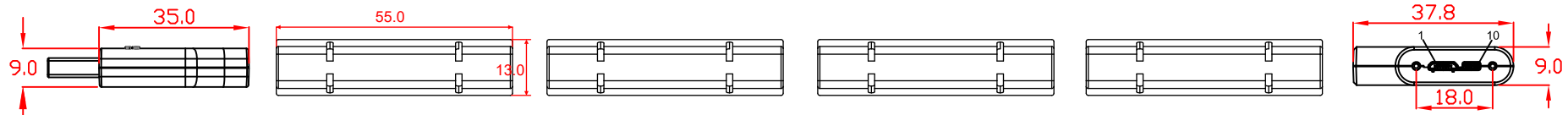


L:
 CBL-HFD3igMBS-13m 13000mm±50mm
 CBL-HFD3igMBS-14m 14000mm±50mm
 CBL-HFD3igMBS-15m 15000mm±50mm

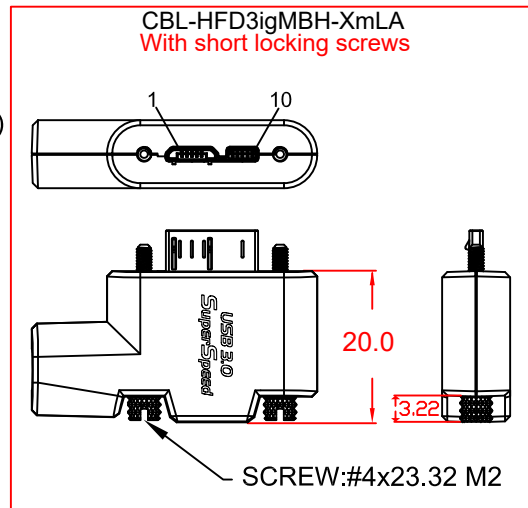
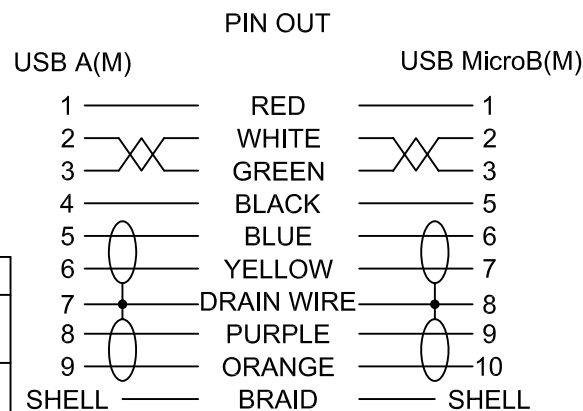


No	MATERIALS LIST:
1.	CABLE:UL20276 (2x(2x28AWG)+2x(2x28AWG)C) OD:7.0mm PUR JACKET COLOR:RED LILAC
2.	CONNECTOR:USB 3.0 A/M, 9P, BLUE INSULATOR SOLDER TYPE, NICKEL PLATED SHELL
3.	CONNECTOR:USB 3.0 MicroB/M, 10P, BLACK INSULATOR SOLDER TYPE, NICKEL PLATED SHELL
4.	PVC MOLDED HOUSING, BLACK COLOR
5.	SCREW:#4x33 M2
6.	

Jargy part no.	Client part no.	Approved	SCALE	UNIT
CBL-HFD3igMBS-xm				mm
Drawing Name		Drawn	Date	REV.
USB 3.0 A to Micro-B Cable M/M				1.0

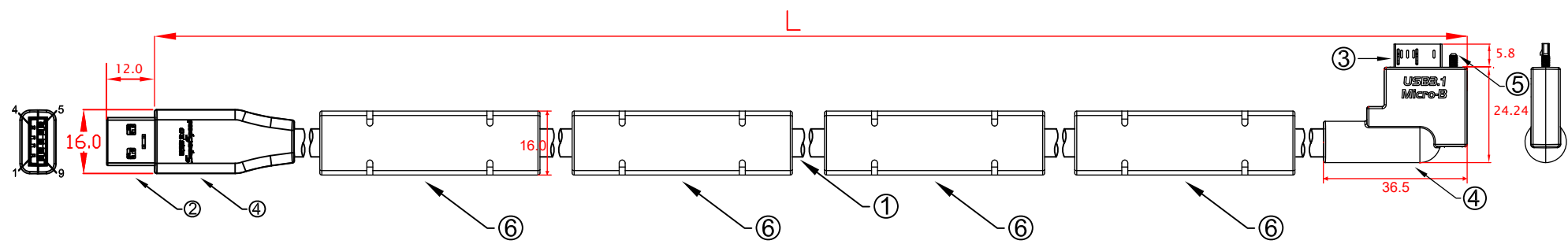
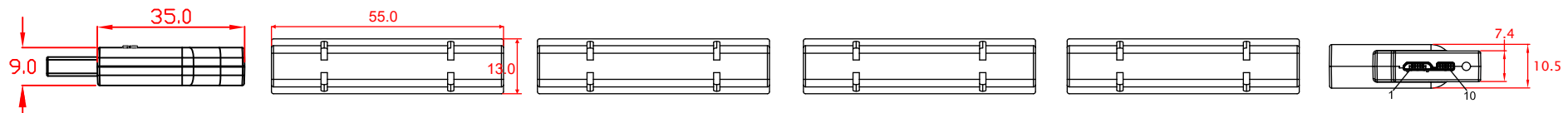


L:
 CBL-HFD3igMBS-13mLA 13000mm±50mm
 CBL-HFD3igMBS-14mLA 14000mm±50mm
 CBL-HFD3igMBS-15mLA 15000mm±50mm



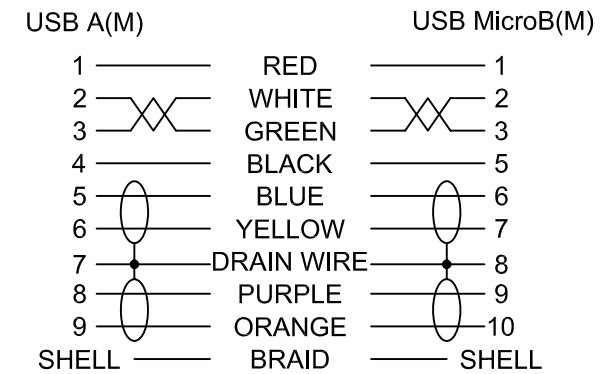
No	MATERIALS LIST:
1.	CABLE:UL20276 (2x(2x28AWG)+2x(2x28AWG)C) OD:7.0mm PUR JACKET COLOR:RED LILAC
2.	CONNECTOR:USB 3.0 A/M, 9P, BLUE INSULATOR SOLDER TYPE, NICKEL PLATED SHELL
3.	CONNECTOR:USB 3.0 MicroB/M, 10P, BLACK INSULATOR SOLDER TYPE, NICKEL PLATED SHELL
4.	ABS ASSEMBLY HOUSING, BLACK COLOR
5.	SCREW:#4x33 M2
6.	PVC MOLDED HOUSING, BLACK COLOR

Jargy part no.	Client part no.	Approved	SCALE	UNIT
CBL-HFD3igMBS-xmLA				mm
Drawing Name		Drawn	Date	REV.
USB 3.0 A to Micro-B Cable M/M				1.0



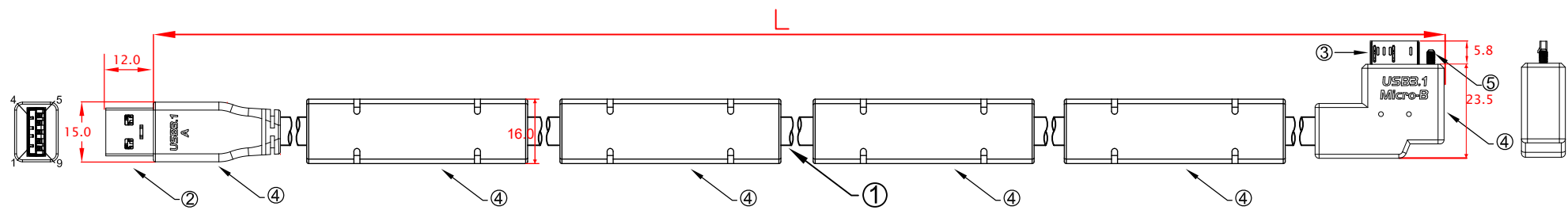
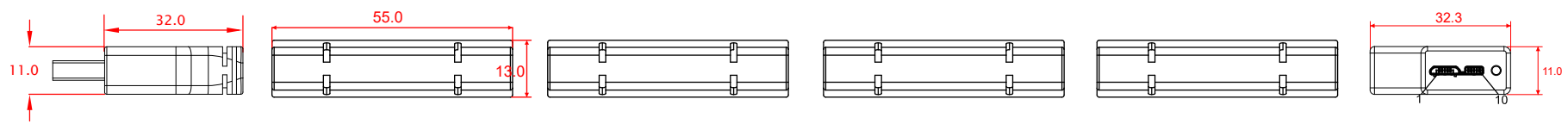
L:
 CBL-HFD3igMBSN-13mLA 13000mm±50mm
 CBL-HFD3igMBSN-14mLA 14000mm±50mm
 CBL-HFD3igMBSN-15mLA 15000mm±50mm

PIN OUT



No	MATERIALS LIST:
1.	CABLE:UL20276 (2x(2x28AWG)+2x(2x28AWG)C) OD:7.0mm PUR JACKET COLOR:RED LILAC
2.	CONNECTOR:USB 3.0 A/M, 9P, BLUE INSULATOR SOLDER TYPE, NICKEL PLATED SHELL
3.	CONNECTOR:USB 3.0 MicroB/M, 10P, BLACK INSULATOR SOLDER TYPE, NICKEL PLATED SHELL
4.	ABS ASSEMBLY HOUSING, BLACK COLOR
5.	SCREW:#4x23.32 M2
6.	PVC MOLDED HOUSING, BLACK COLOR

Jargy part no.	Client part no.	Approved	SCALE	UNIT
CBL-HFD3igMBSN-xmLA				mm
Drawing Name		Drawn	Date	REV.
USB 3.0 A to Micro-B Cable M/M				1.0

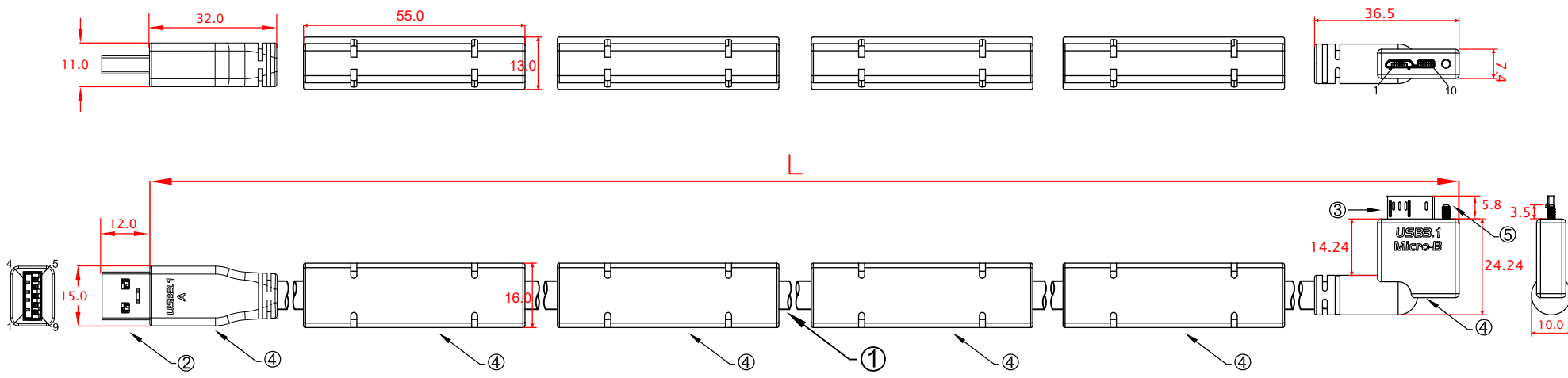


L:
 CBL-HFD3igMBH-13mLA 13000mm±50mm
 CBL-HFD3igMBH-14mLA 14000mm±50mm
 CBL-HFD3igMBH-15mLA 15000mm±50mm

PIN OUT		
USB A(M)		USB MicroB(M)
1	RED	1
2	WHITE	2
3	GREEN	3
4	BLACK	5
5	BLUE	6
6	YELLOW	7
7	DRAIN WIRE	8
8	PURPLE	9
9	ORANGE	10
SHELL	BRAID	SHELL

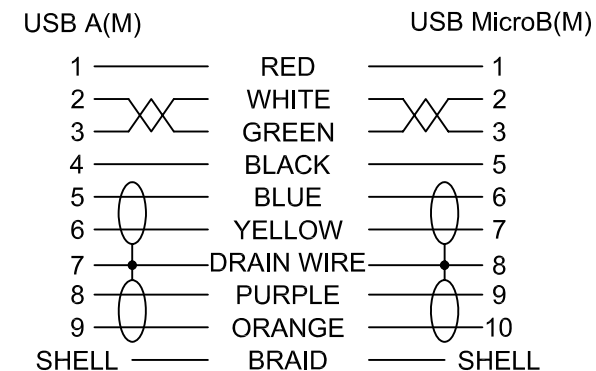
No	MATERIALS LIST:
1.	CABLE:UL20276 (2x(2x28AWG)+2x(2x28AWG)C) OD:7.0mm PUR JACKET COLOR:RED LILAC
2.	CONNECTOR:USB 3.0 A/M, 9P, BLUE INSULATOR SOLDER TYPE, NICKEL PLATED SHELL
3.	CONNECTOR:USB 3.0 MicroB/M, 10P, BLACK INSULATOR SOLDER TYPE, NICKEL PLATED SHELL
4.	PVC MOLDED HOUSING, BLACK COLOR
5.	SCREW:#4x23.32 M2
6.	

Jargy part no.	Client part no.	Approved	SCALE	UNIT
CBL-HFD3igMBH-xmLA				mm
Drawing Name		Drawn	Date	REV.
USB 3.0 A to Micro-B Cable M/M				1.0



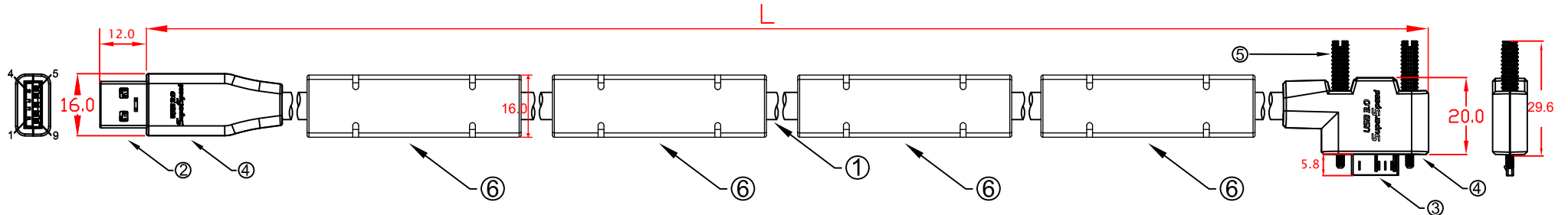
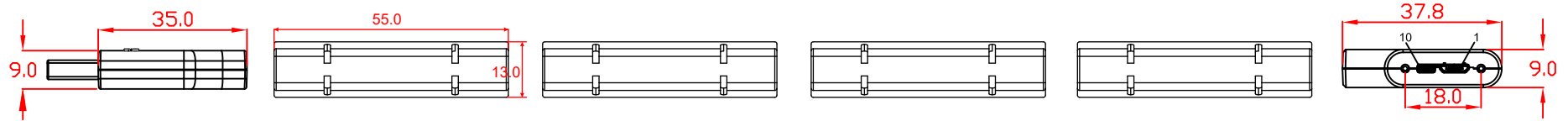
L:
 CBL-HFD3igMBHM-13mLA 13000mm±50mm
 CBL-HFD3igMBHM-14mLA 14000mm±50mm
 CBL-HFD3igMBHM-15mLA 15000mm±50mm

PIN OUT

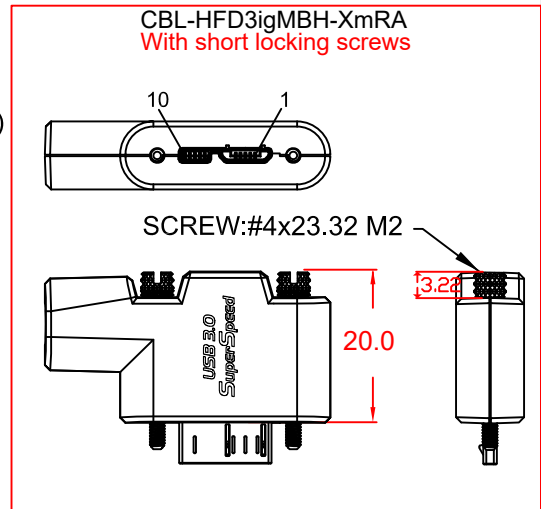
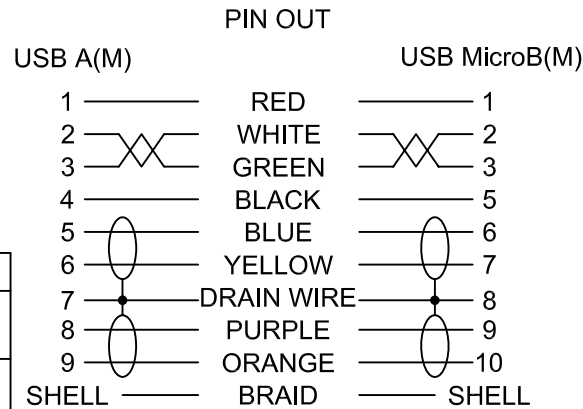


No	MATERIALS LIST:
1.	CABLE:UL20276 (2x(2x28AWG)+2x(2x28AWG)C) OD:7.0mm PUR JACKET COLOR:RED LILAC
2.	CONNECTOR:USB 3.0 A/M, 9P, BLUE INSULATOR SOLDER TYPE, NICKEL PLATED SHELL
3.	CONNECTOR:USB 3.0 MicroB/M, 10P, BLACK INSULATOR SOLDER TYPE, NICKEL PLATED SHELL
4.	PVC MOLDED HOUSING, BLACK COLOR
5.	SCREW:#4x23.32 M2
6.	

Jargy part no.	Client part no.	Approved	SCALE	UNIT
CBL-HFD3igMBHM-xmLA				mm
Drawing Name		Drawn	Date	REV.
USB 3.0 A to Micro-B Cable M/M				1.0

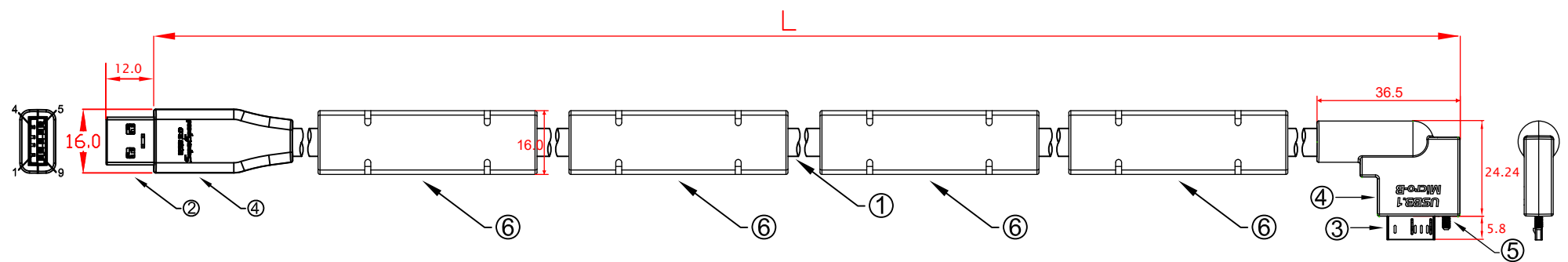
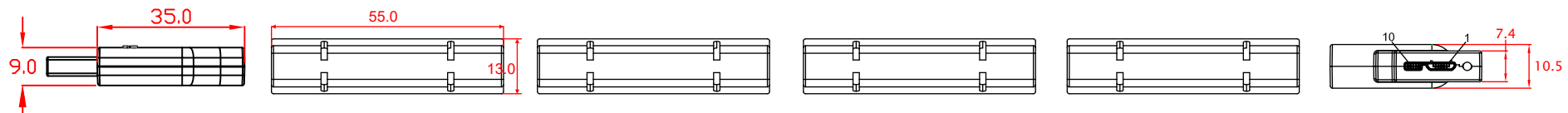


L:
 CBL-HFD3igMBS-13mRA 13000mm±50mm
 CBL-HFD3igMBS-14mRA 14000mm±50mm
 CBL-HFD3igMBS-15mRA 15000mm±50mm

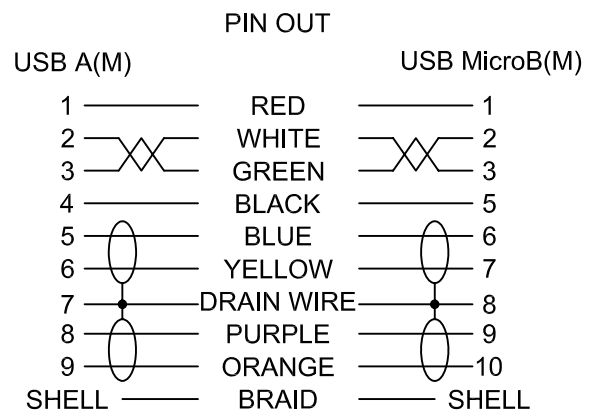


No	MATERIALS LIST:
1.	CABLE:UL20276 (2x(2x28AWG)+2x(2x28AWG)C) OD:7.0mm PUR JACKET COLOR:RED LILAC
2.	CONNECTOR:USB 3.0 A/M, 9P, BLUE INSULATOR SOLDER TYPE, NICKEL PLATED SHELL
3.	CONNECTOR:USB 3.0 MicroB/M, 10P, BLACK INSULATOR SOLDER TYPE, NICKEL PLATED SHELL
4.	ABS ASSEMBLY HOUSING, BLACK COLOR
5.	SCREW:#4x33 M2
6.	PVC MOLDED HOUSING, BLACK COLOR

Jargy part no.	Client part no.	Approved	SCALE	UNIT
CBL-HFD3igMBS-xmRA				mm
Drawing Name		Drawn	Date	REV.
USB 3.0 A to Micro-B Cable M/M				1.0

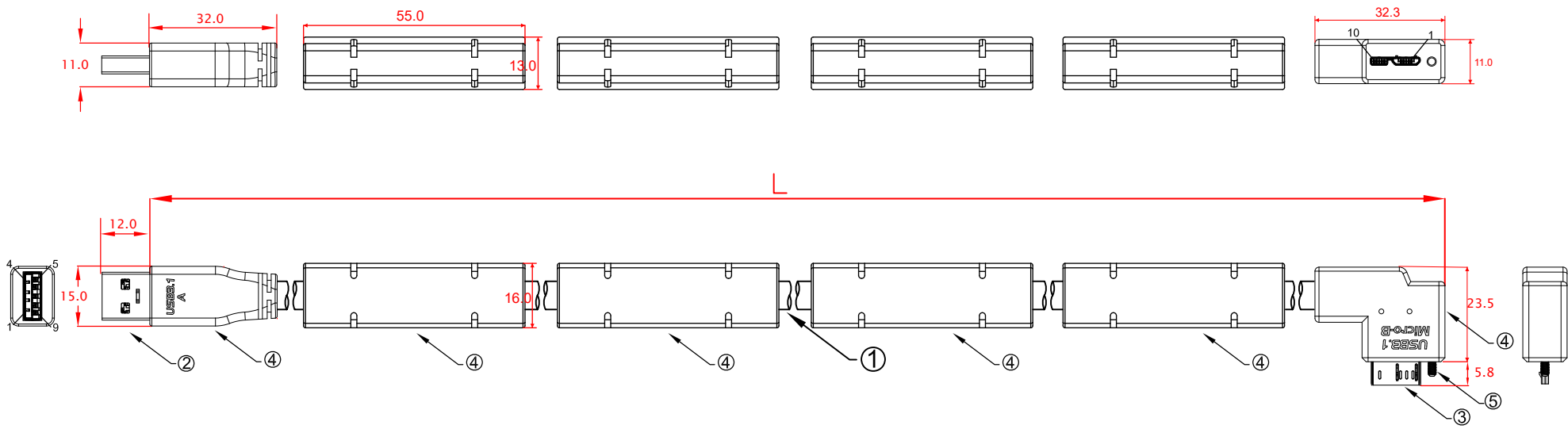


L:
 CBL-HFD3igMBSN-13mRA 13000mm±50mm
 CBL-HFD3igMBSN-14mRA 14000mm±50mm
 CBL-HFD3igMBSN-15mRA 15000mm±50mm



No	MATERIALS LIST:
1.	CABLE:UL20276 (2x(2x28AWG)+2x(2x28AWG)C) OD:7.0mm PUR JACKET COLOR:RED LILAC
2.	CONNECTOR:USB 3.0 A/M, 9P, BLUE INSULATOR SOLDER TYPE, NICKEL PLATED SHELL
3.	CONNECTOR:USB 3.0 MicroB/M, 10P, BLACK INSULATOR SOLDER TYPE, NICKEL PLATED SHELL
4.	ABS ASSEMBLY HOUSING, BLACK COLOR
5.	SCREW:#4x23.32 M2
6.	PVC MOLDED HOUSING, BLACK COLOR

Jargy part no.	Client part no.	Approved	SCALE	UNIT
CBL-HFD3igMBSN-xmRA				mm
Drawing Name		Drawn	Date	REV.
USB 3.0 A to Micro-B Cable M/M				1.0

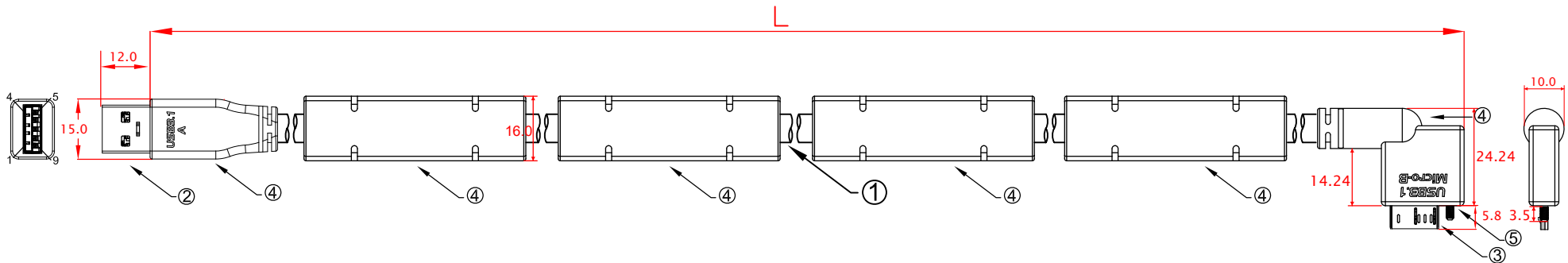
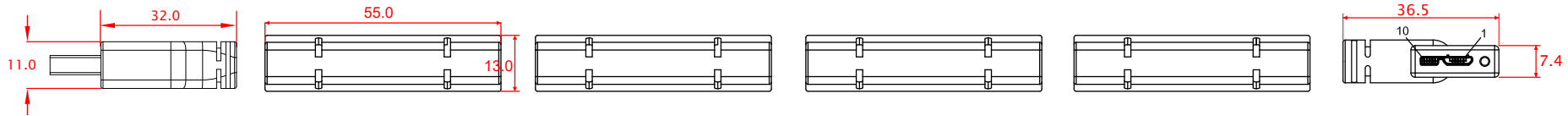


L:
 CBL-HFD3igMBH-13mRA 13000mm±50mm
 CBL-HFD3igMBH-14mRA 14000mm±50mm
 CBL-HFD3igMBH-15mRA 15000mm±50mm

PIN OUT		
USB A(M)		USB MicroB(M)
1 ———	RED	1 ———
2	WHITE	2
3	GREEN	3
4 ———	BLACK	5 ———
5	BLUE	6
6	YELLOW	7
7	DRAIN WIRE	8
8	PURPLE	9
9	ORANGE	10
SHELL ———	BRAID	SHELL ———

No	MATERIALS LIST:
1.	CABLE:UL20276 (2x(2x28AWG)+2x(2x28AWG)C) OD:7.0mm PUR JACKET COLOR:RED LILAC
2.	CONNECTOR:USB 3.0 A/M, 9P, BLUE INSULATOR SOLDER TYPE, NICKEL PLATED SHELL
3.	CONNECTOR:USB 3.0 MicroB/M, 10P, BLACK INSULATOR SOLDER TYPE, NICKEL PLATED SHELL
4.	PVC MOLDED HOUSING, BLACK COLOR
5.	SCREW:#4x23.32 M2
6.	

Jargy part no.	Client part no.	Approved	SCALE	UNIT
CBL-HFD3igMBH-xmRA				mm
Drawing Name		Drawn	Date	REV.
USB 3.0 A to Micro-B Cable M/M				1.0



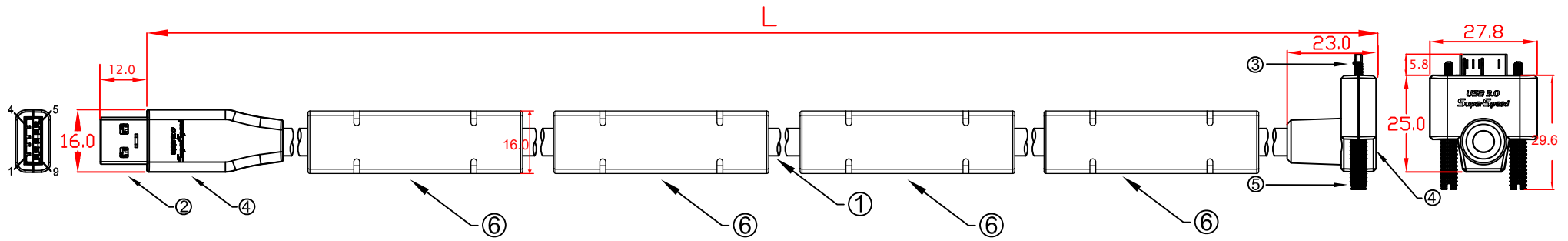
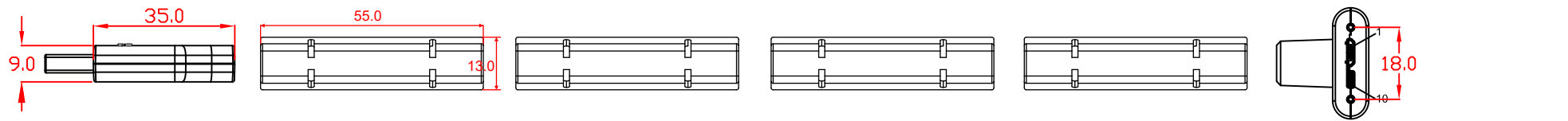
L:
 CBL-HFD3igMBHM-13mRA 13000mm±50mm
 CBL-HFD3igMBHM-14mRA 14000mm±50mm
 CBL-HFD3igMBHM-15mRA 15000mm±50mm

PIN OUT

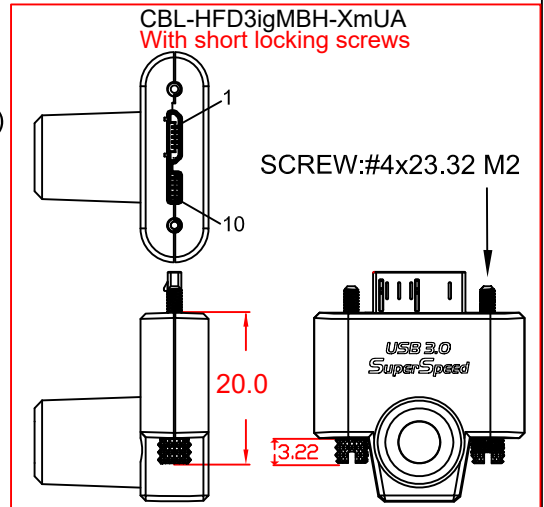
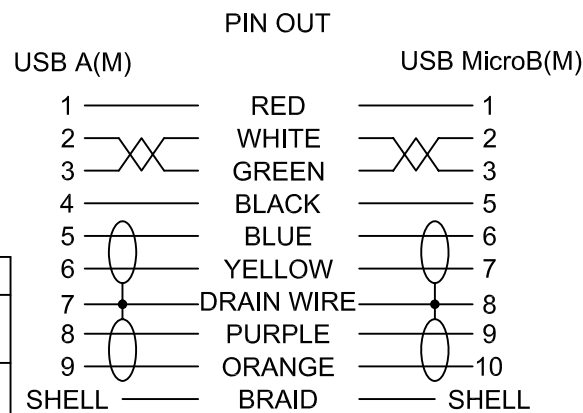
USB A(M)		USB MicroB(M)
1	RED	1
2	WHITE	2
3	GREEN	3
4	BLACK	5
5	BLUE	6
6	YELLOW	7
7	DRAIN WIRE	8
8	PURPLE	9
9	ORANGE	10
SHELL	BRAID	SHELL

No	MATERIALS LIST:
1.	CABLE:UL20276 (2x(2x28AWG)+2x(2x28AWG)C) OD:7.0mm PUR JACKET COLOR:RED LILAC
2.	CONNECTOR:USB 3.0 A/M, 9P, BLUE INSULATOR SOLDER TYPE, NICKEL PLATED SHELL
3.	CONNECTOR:USB 3.0 MicroB/M, 10P, BLACK INSULATOR SOLDER TYPE, NICKEL PLATED SHELL
4.	PVC MOLDED HOUSING, BLACK COLOR
5.	SCREW:#4x23.32 M2
6.	

Jargy part no.	Client part no.	Approved	SCALE	UNIT
CBL-HFD3igMBHM-xmRA				mm
Drawing Name		Drawn	Date	REV.
USB 3.0 A to Micro-B Cable M/M				1.0



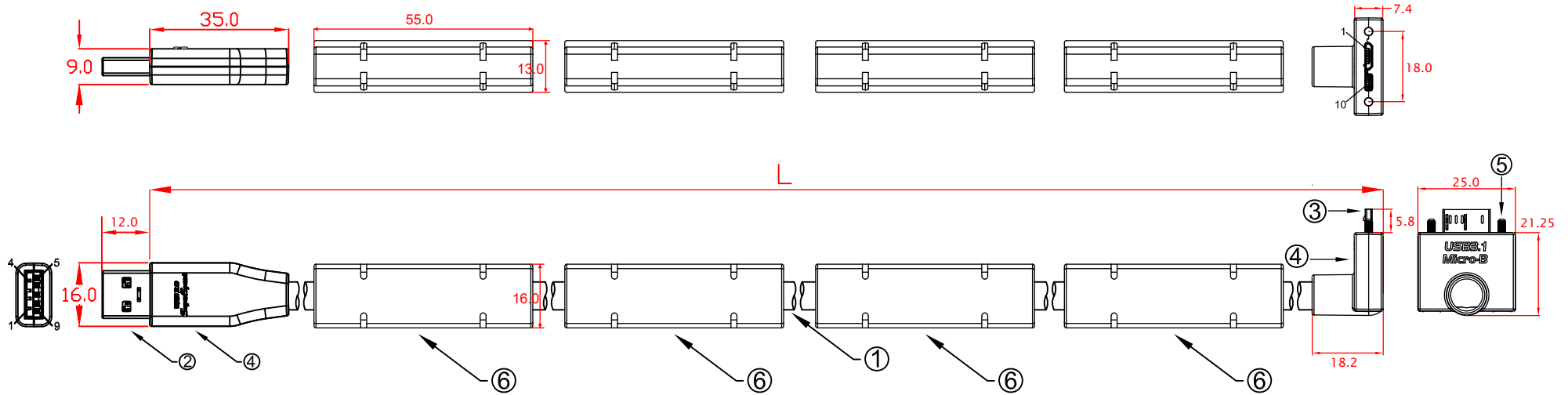
L:
 CBL-HFD3igMBS-13mUA 13000mm±50mm
 CBL-HFD3igMBS-14mUA 14000mm±50mm
 CBL-HFD3igMBS-15mUA 15000mm±50mm



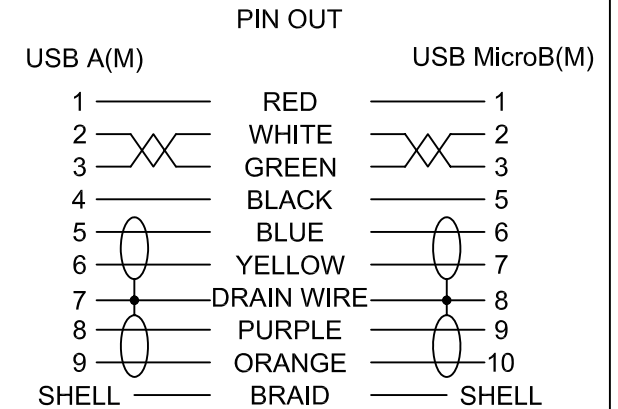
No	MATERIALS LIST:
1.	CABLE:UL20276 (2x(2x28AWG)+2x(2x28AWG)C) OD:7.0mm PUR JACKET COLOR:RED LILAC
2.	CONNECTOR:USB 3.0 A/M, 9P, BLUE INSULATOR SOLDER TYPE, NICKEL PLATED SHELL
3.	CONNECTOR:USB 3.0 MicroB/M, 10P, BLACK INSULATOR SOLDER TYPE, NICKEL PLATED SHELL
4.	ABS ASSEMBLY HOUSING, BLACK COLOR
5.	SCREW:#4x33 M2
6.	PVC MOLDED HOUSING, BLACK COLOR

Jargy part no.	Client part no.	Approved	SCALE	UNIT
CBL-HFD3igMBS-xmUA				mm
Drawing Name		Drawn	Date	REV.
USB 3.0 A to Micro-B Cable M/M				1.0

Mobile Computing **JARGY**

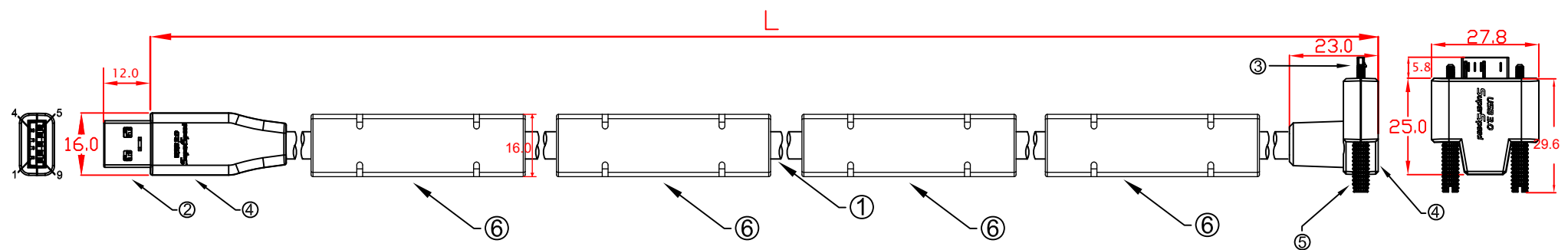
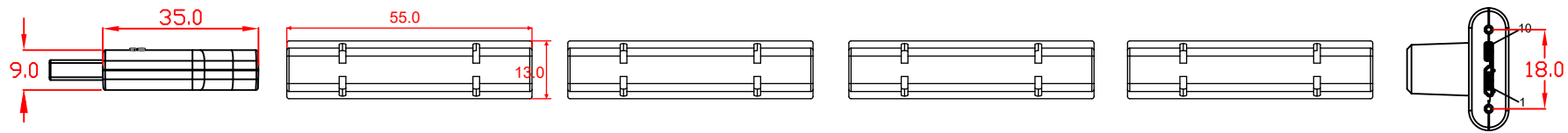


L:
 CBL-HFD3igMBSN-13mUA 13000mm±50mm
 CBL-HFD3igMBSN-14mUA 14000mm±50mm
 CBL-HFD3igMBSN-15mUA 15000mm±50mm

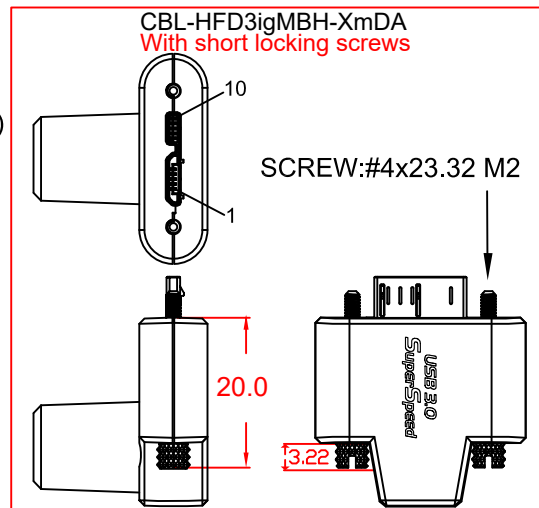
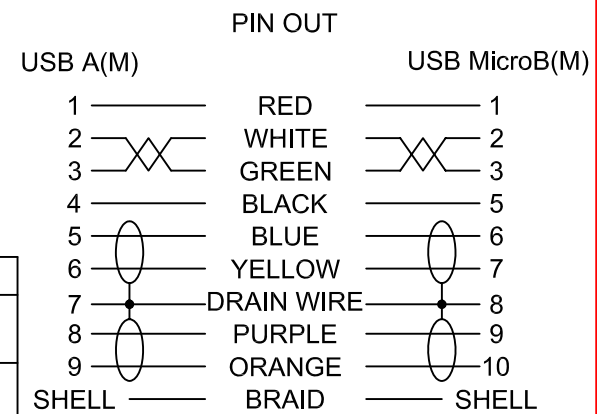


No	MATERIALS LIST:
1.	CABLE:UL20276 (2x(2x28AWG)+2x(2x28AWG)C) OD:7.0mm PUR JACKET COLOR:RED LILAC
2.	CONNECTOR:USB 3.0 A/M, 9P, BLUE INSULATOR SOLDER TYPE, NICKEL PLATED SHELL
3.	CONNECTOR:USB 3.0 MicroB/M, 10P, BLACK INSULATOR SOLDER TYPE, NICKEL PLATED SHELL
4.	ABS ASSEMBLY HOUSING, BLACK COLOR
5.	SCREW:#4x23.32 M2
6.	PVC MOLDED HOUSING, BLACK COLOR

Jargy part no.	Client part no.	Approved	SCALE	UNIT
CBL-HFD3igMBSN-xmUA				mm
Drawing Name		Drawn	Date	REV.
USB 3.0 A to Micro-B Cable M/M				1.0

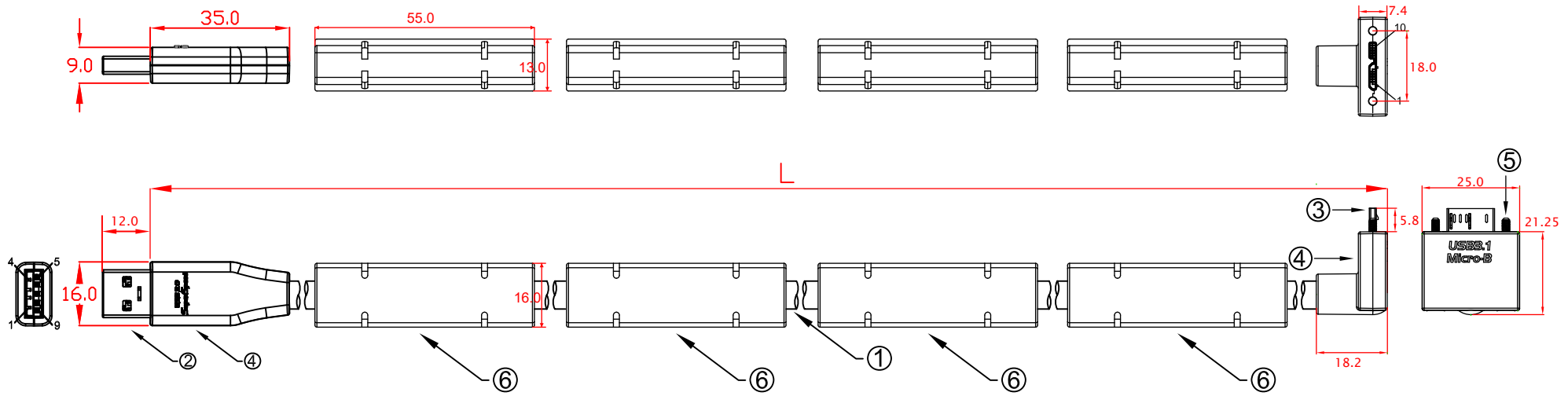


L:
 CBL-HFD3igMBS-13mDA 13000mm±50mm
 CBL-HFD3igMBS-14mDA 14000mm±50mm
 CBL-HFD3igMBS-15mDA 15000mm±50mm

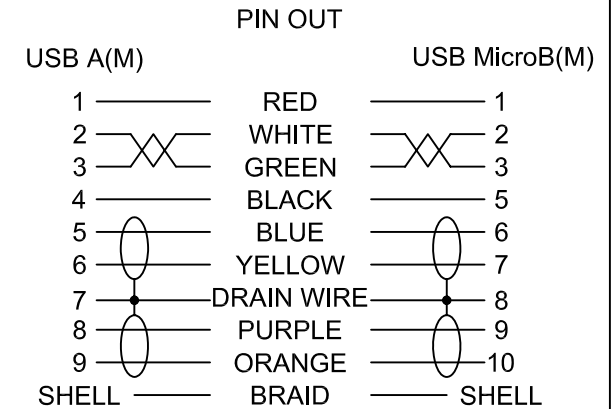


No	MATERIALS LIST:
1.	CABLE:UL20276 (2x(2x28AWG)+2x(2x28AWG)C) OD:7.0mm PUR JACKET COLOR:RED LILAC
2.	CONNECTOR:USB 3.0 A/M, 9P, BLUE INSULATOR SOLDER TYPE, NICKEL PLATED SHELL
3.	CONNECTOR:USB 3.0 MicroB/M, 10P, BLACK INSULATOR SOLDER TYPE, NICKEL PLATED SHELL
4.	ABS ASSEMBLY HOUSING, BLACK COLOR
5.	SCREW:#4x33 M2
6.	PVC MOLDED HOUSING, BLACK COLOR

Jargy part no.	Client part no.	Approved	SCALE	UNIT
CBL-HFD3igMBS-xmDA				mm
Drawing Name		Drawn	Date	REV.
USB 3.0 A to Micro-B Cable M/M				1.0

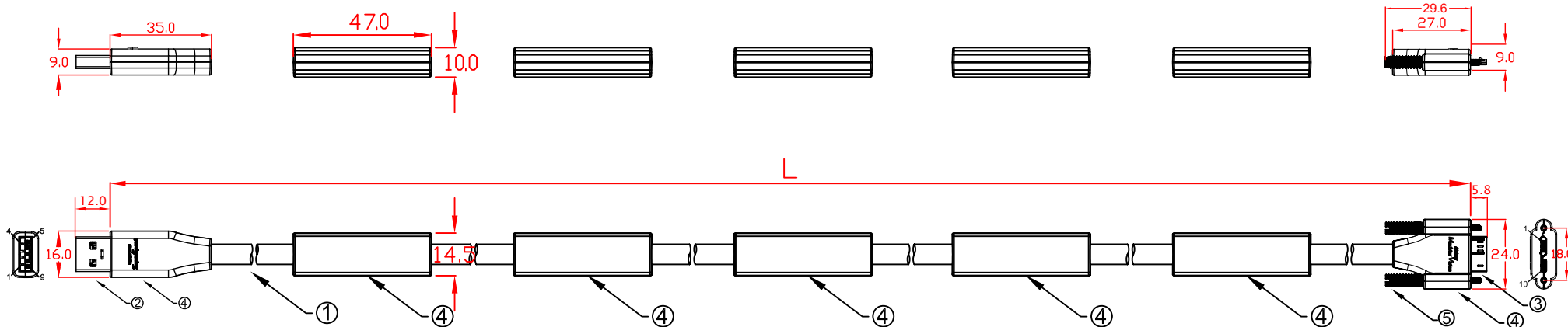


L:
 CBL-HFD3igMBSN-13mDA 13000mm±50mm
 CBL-HFD3igMBSN-14mDA 14000mm±50mm
 CBL-HFD3igMBSN-15mDA 15000mm±50mm



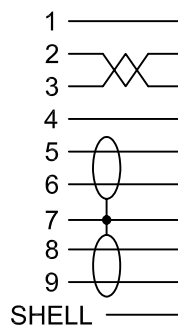
No	MATERIALS LIST:
1.	CABLE:UL20276 (2x(2x28AWG)+2x(2x28AWG)C) OD:7.0mm PUR JACKET COLOR:RED LILAC
2.	CONNECTOR:USB 3.0 A/M, 9P, BLUE INSULATOR SOLDER TYPE, NICKEL PLATED SHELL
3.	CONNECTOR:USB 3.0 MicroB/M, 10P, BLACK INSULATOR SOLDER TYPE, NICKEL PLATED SHELL
4.	ABS ASSEMBLY HOUSING, BLACK COLOR
5.	SCREW:#4x23.32 M2
6.	PVC MOLDED HOUSING, BLACK COLOR

Jargy part no.	Client part no.	Approved	SCALE	UNIT
CBL-HFD3igMBSN-xmDA				mm
Drawing Name		Drawn	Date	REV.
USB 3.0 A to Micro-B Cable M/M				1.0



L:
 CBL-HFD3igMBS-16m 16000mm±50mm
 CBL-HFD3igMBS-17m 17000mm±50mm
 CBL-HFD3igMBS-18m 18000mm±50mm
 CBL-HFD3igMBS-19m 19000mm±50mm
 CBL-HFD3igMBS-20m 20000mm±50mm

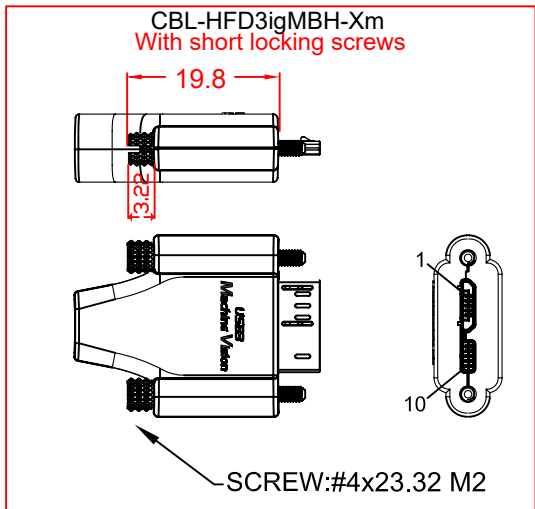
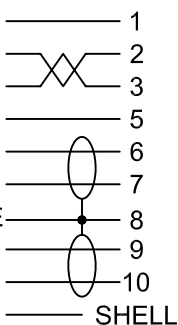
USB A(M)



PIN OUT

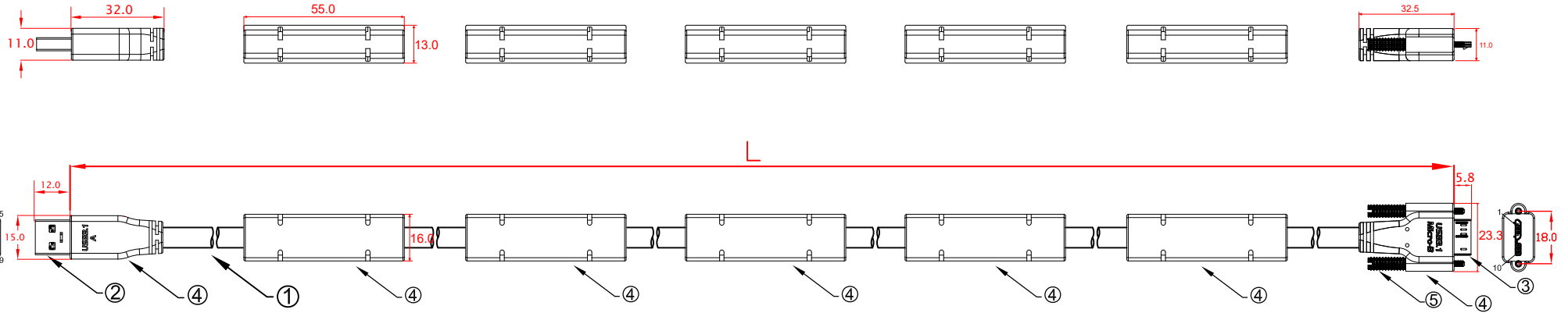
1 ——— RED
 2 ——— WHITE
 3 ——— GREEN
 4 ——— BLACK
 5 ——— BLUE
 6 ——— YELLOW
 7 ——— DRAIN WIRE
 8 ——— PURPLE
 9 ——— ORANGE
 SHELL ——— BRAID

USB MicroB(M)

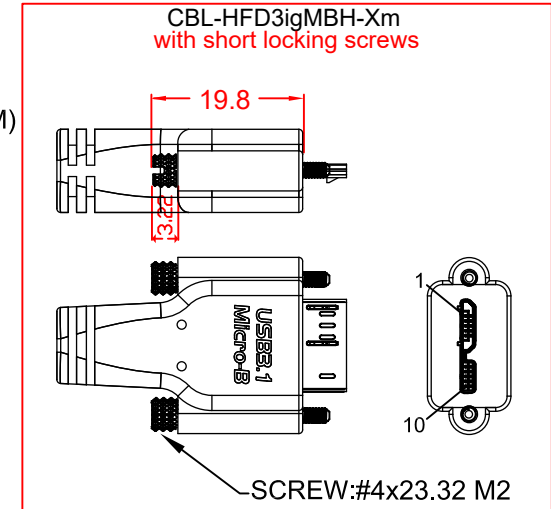
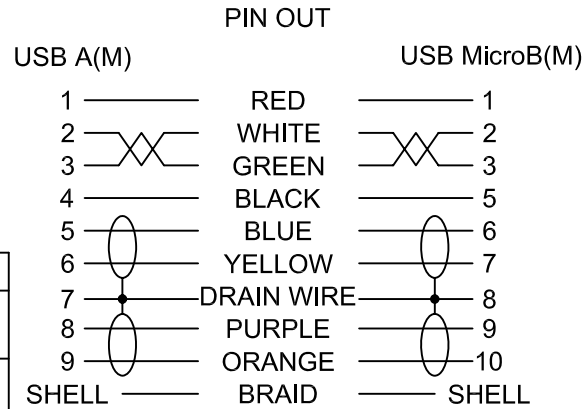


No	MATERIALS LIST:
1.	CABLE:UL20276 (2x(2x28AWG)+2x(2x28AWG)C) OD:7.0mm PUR JACKET COLOR:RED LILAC
2.	CONNECTOR:USB 3.0 A/M, 9P, BLUE INSULATOR SOLDER TYPE, NICKEL PLATED SHELL
3.	CONNECTOR:USB 3.0 MicroB/M, 10P, BLACK INSULATOR SOLDER TYPE, NICKEL PLATED SHELL
4.	ABS ASSEMBLY HOUSING, BLACK COLOR
5.	SCREW:#4x33 M2
6.	

Jargy part no.	Client part no.	Approved	SCALE	UNIT
CBL-HFD3igMBS-xm				mm
Drawing Name		Drawn	Date	REV.
USB 3.0 A to Micro-B Cable M/M				1.0

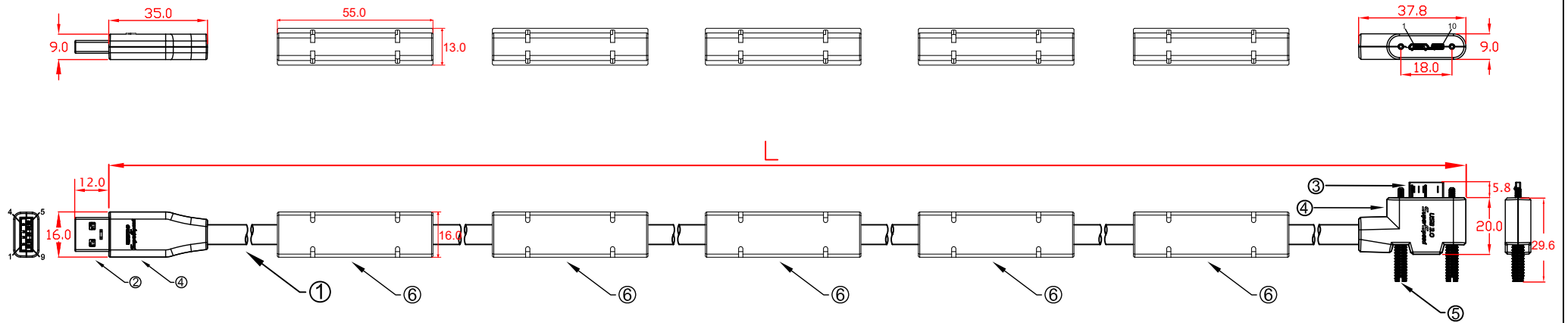


- L:
 CBL-HFD3igMBS-16m 16000mm±50mm
 CBL-HFD3igMBS-17m 17000mm±50mm
 CBL-HFD3igMBS-18m 18000mm±50mm
 CBL-HFD3igMBS-19m 19000mm±50mm
 CBL-HFD3igMBS-20m 20000mm±50mm



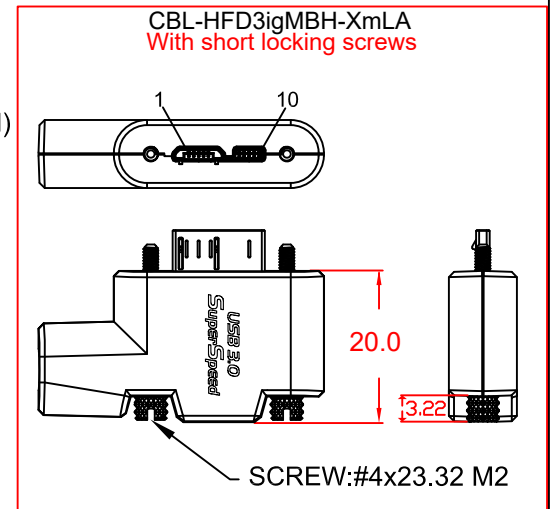
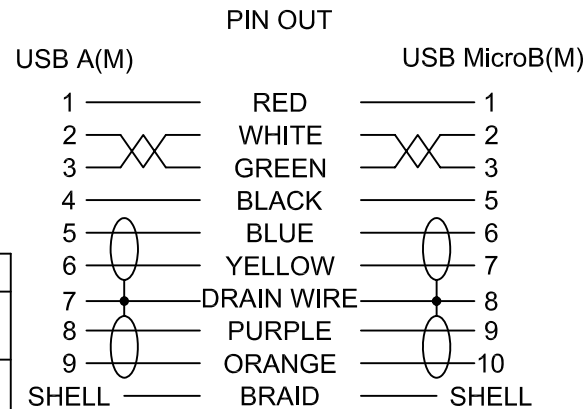
No	MATERIALS LIST:
1.	CABLE:UL20276 (2x(2x28AWG)+2x(2x28AWG)C) OD:7.0mm PUR JACKET COLOR:RED LILAC
2.	CONNECTOR:USB 3.0 A/M, 9P, BLUE INSULATOR SOLDER TYPE, NICKEL PLATED SHELL
3.	CONNECTOR:USB 3.0 MicroB/M, 10P, BLACK INSULATOR SOLDER TYPE, NICKEL PLATED SHELL
4.	PVC MOLDED HOUSING, BLACK COLOR
5.	SCREW:#4x33 M2
6.	

Jargy part no.	Client part no.	Approved	SCALE	UNIT
CBL-HFD3igMBS-xm				mm
Drawing Name		Drawn	Date	REV.
USB 3.0 A to Micro-B Cable M/M				1.0



L:

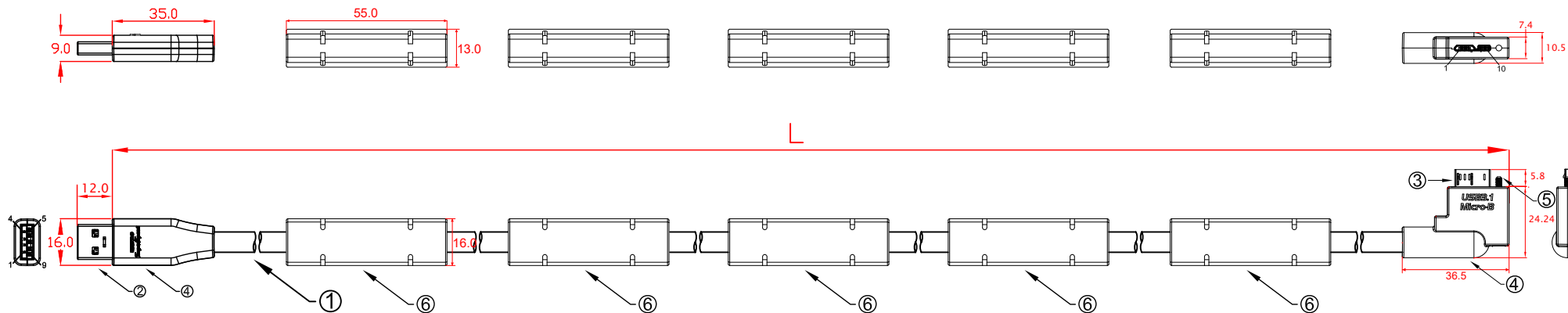
CBL-HFD3igMBS-16mLA	16000mm±50mm
CBL-HFD3igMBS-17mLA	17000mm±50mm
CBL-HFD3igMBS-18mLA	18000mm±50mm
CBL-HFD3igMBS-19mLA	19000mm±50mm
CBL-HFD3igMBS-20mLA	20000mm±50mm



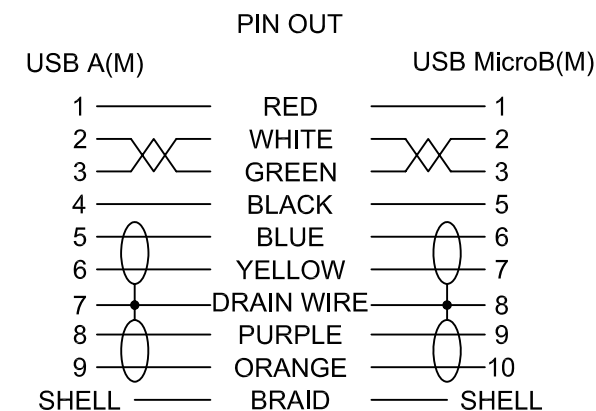
No	MATERIALS LIST:
1.	CABLE:UL20276 (2x(2x28AWG)+2x(2x28AWG)C) OD:7.0mm PUR JACKET COLOR:RED LILAC
2.	CONNECTOR:USB 3.0 A/M, 9P, BLUE INSULATOR SOLDER TYPE, NICKEL PLATED SHELL
3.	CONNECTOR:USB 3.0 MicroB/M, 10P, BLACK INSULATOR SOLDER TYPE, NICKEL PLATED SHELL
4.	ABS ASSEMBLY HOUSING, BLACK COLOR
5.	SCREW:#4x33 M2
6.	PVC MOLDED HOUSING, BLACK COLOR

Jargy part no.	Client part no.	Approved	SCALE	UNIT
CBL-HFD3igMBS-xmLA				mm
Drawing Name		Drawn	Date	REV.
USB 3.0 A to Micro-B Cable M/M				1.0

Mobile Computing **JARGY**

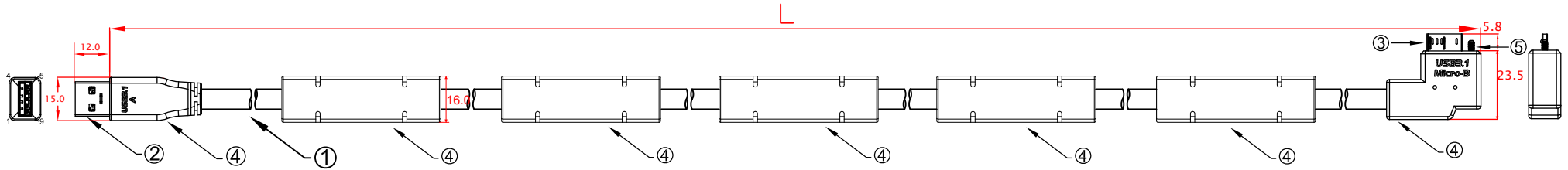
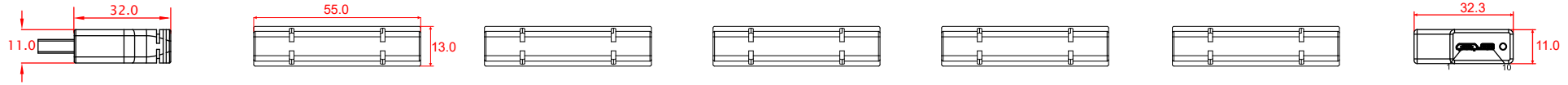


- L:
- CBL-HFD3igMBSN-16mLA 16000mm±50mm
 - CBL-HFD3igMBSN-17mLA 17000mm±50mm
 - CBL-HFD3igMBSN-18mLA 18000mm±50mm
 - CBL-HFD3igMBSN-19mLA 19000mm±50mm
 - CBL-HFD3igMBSN-20mLA 20000mm±50mm

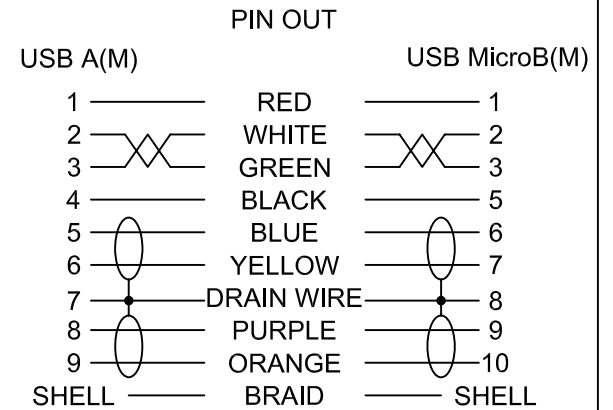


No	MATERIALS LIST:
1.	CABLE:UL20276 (2x(2x28AWG)+2x(2x28AWG)C) OD:7.0mm PUR JACKET COLOR:RED LILAC
2.	CONNECTOR:USB 3.0 A/M, 9P, BLUE INSULATOR SOLDER TYPE, NICKEL PLATED SHELL
3.	CONNECTOR:USB 3.0 MicroB/M, 10P, BLACK INSULATOR SOLDER TYPE, NICKEL PLATED SHELL
4.	ABS ASSEMBLY HOUSING, BLACK COLOR
5.	SCREW:#4x23.32 M2
6.	PVC MOLDED HOUSING, BLACK COLOR

Jargy part no.	Client part no.	Approved	SCALE	UNIT
CBL-HFD3igMBSN-xmLA				mm
Drawing Name		Drawn	Date	REV.
USB 3.0 A to Micro-B Cable M/M				1.0

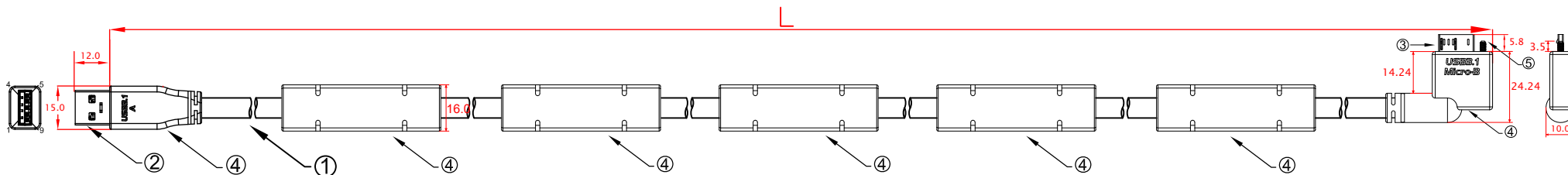
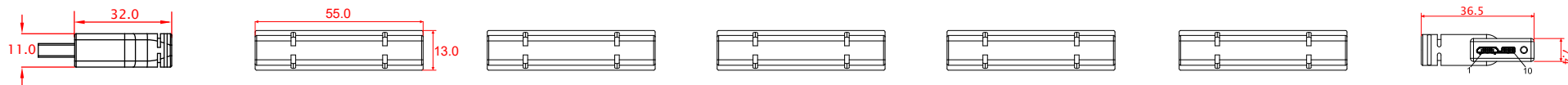


- L:
- CBL-HFD3igMBH-16mLA 16000mm±50mm
 - CBL-HFD3igMBH-17mLA 17000mm±50mm
 - CBL-HFD3igMBH-18mLA 18000mm±50mm
 - CBL-HFD3igMBH-19mLA 19000mm±50mm
 - CBL-HFD3igMBH-20mLA 20000mm±50mm

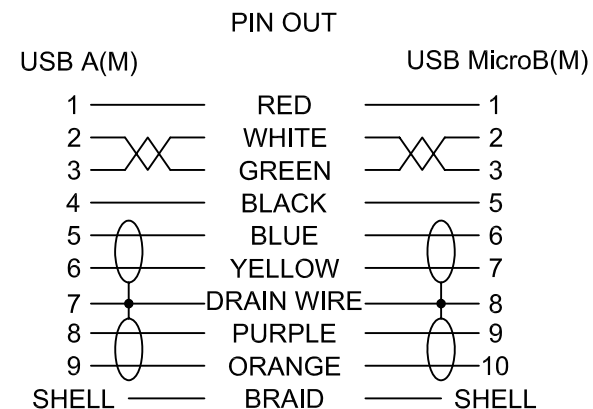


No	MATERIALS LIST:
1.	CABLE:UL20276 (2x(2x28AWG)+2x(2x28AWG)C) OD:7.0mm PUR JACKET COLOR:RED LILAC
2.	CONNECTOR:USB 3.0 A/M, 9P, BLUE INSULATOR SOLDER TYPE, NICKEL PLATED SHELL
3.	CONNECTOR:USB 3.0 MicroB/M, 10P, BLACK INSULATOR SOLDER TYPE, NICKEL PLATED SHELL
4.	PVC MOLDED HOUSING, BLACK COLOR
5.	SCREW:#4x23.32 M2
6.	

Jargy part no.	Client part no.	Approved	SCALE	UNIT
CBL-HFD3igMBH-xmLA				mm
Drawing Name		Drawn	Date	REV.
USB 3.0 A to Micro-B Cable M/M				1.0

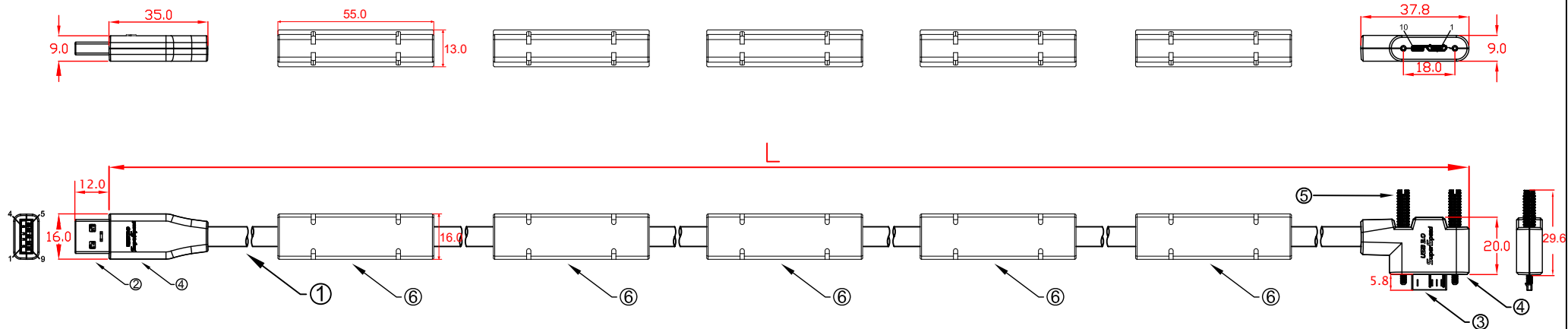


- L:
- CBL-HFD3igMBHM-16mLA 16000mm±50mm
 - CBL-HFD3igMBHM-17mLA 17000mm±50mm
 - CBL-HFD3igMBHM-18mLA 18000mm±50mm
 - CBL-HFD3igMBHM-19mLA 19000mm±50mm
 - CBL-HFD3igMBHM-20mLA 20000mm±50mm



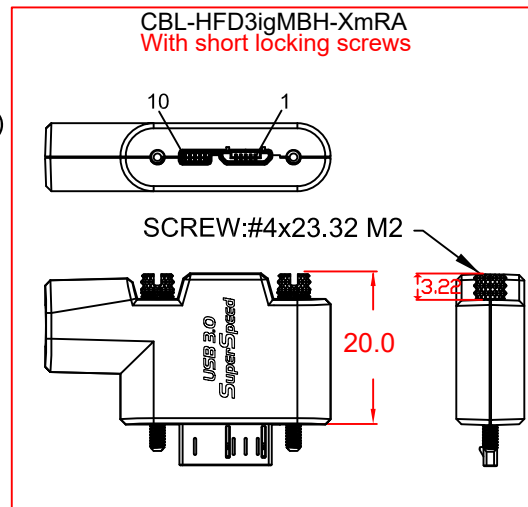
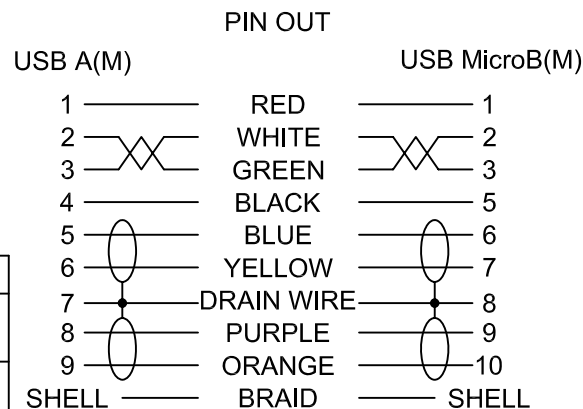
No	MATERIALS LIST:
1.	CABLE:UL20276 (2x(2x28AWG)+2x(2x28AWG)C) OD:7.0mm PUR JACKET COLOR:RED LILAC
2.	CONNECTOR:USB 3.0 A/M, 9P, BLUE INSULATOR SOLDER TYPE, NICKEL PLATED SHELL
3.	CONNECTOR:USB 3.0 MicroB/M, 10P, BLACK INSULATOR SOLDER TYPE, NICKEL PLATED SHELL
4.	PVC MOLDED HOUSING, BLACK COLOR
5.	SCREW:#4x23.32 M2
6.	

Jargy part no.	Client part no.	Approved	SCALE	UNIT
CBL-HFD3igMBHM-xmLA				mm
Drawing Name		Drawn	Date	REV.
USB 3.0 A to Micro-B Cable M/M				1.0



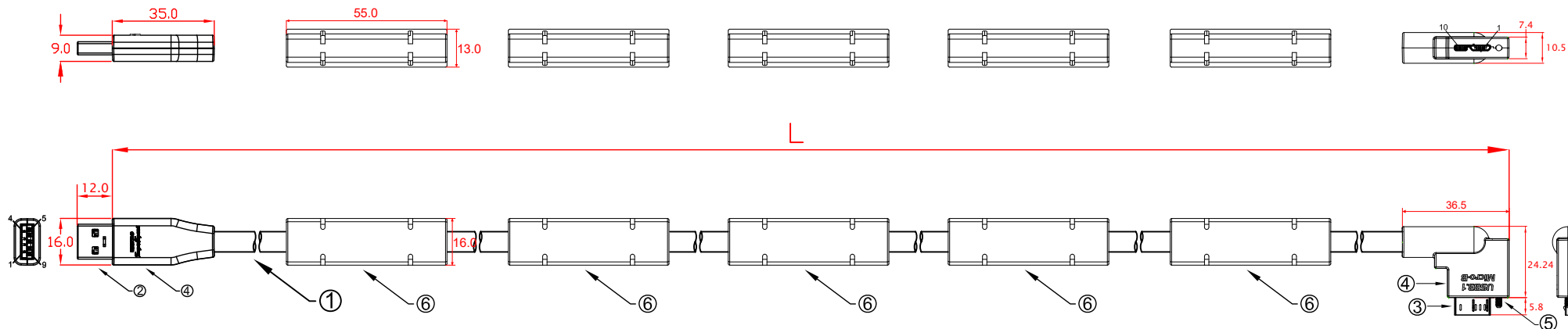
L:

CBL-HFD3igMBS-16mRA	16000mm±50mm
CBL-HFD3igMBS-17mRA	17000mm±50mm
CBL-HFD3igMBS-18mRA	18000mm±50mm
CBL-HFD3igMBS-19mRA	19000mm±50mm
CBL-HFD3igMBS-20mRA	20000mm±50mm

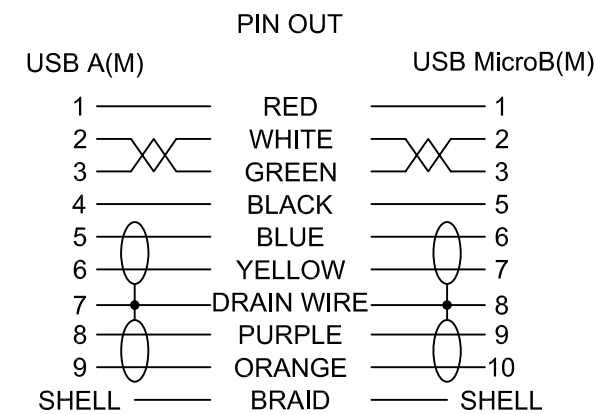


No	MATERIALS LIST:
1.	CABLE:UL20276 (2x(2x28AWG)+2x(2x28AWG)C) OD:7.0mm PUR JACKET COLOR:RED LILAC
2.	CONNECTOR:USB 3.0 A/M, 9P, BLUE INSULATOR SOLDER TYPE, NICKEL PLATED SHELL
3.	CONNECTOR:USB 3.0 MicroB/M, 10P, BLACK INSULATOR SOLDER TYPE, NICKEL PLATED SHELL
4.	ABS ASSEMBLY HOUSING, BLACK COLOR
5.	SCREW:#4x33 M2
6.	PVC MOLDED HOUSING, BLACK COLOR

Jargy part no.	Client part no.	Approved	SCALE	UNIT
CBL-HFD3igMBS-xmRA				mm
Drawing Name		Drawn	Date	REV.
USB 3.0 A to Micro-B Cable M/M				1.0

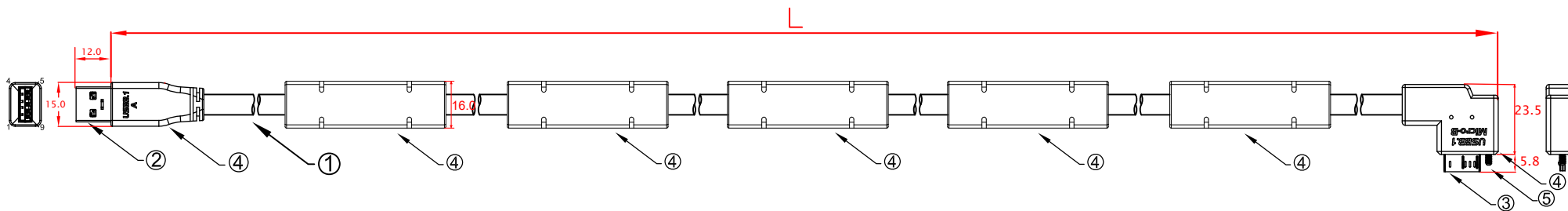
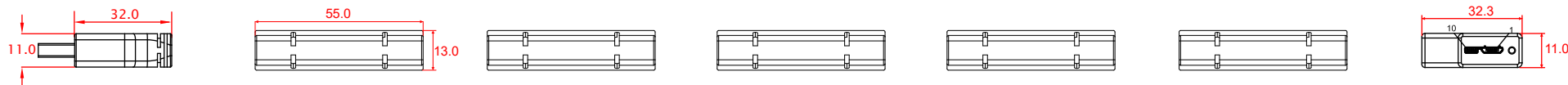


- L:
- CBL-HFD3igMBSN-16mRA 16000mm±50mm
 - CBL-HFD3igMBSN-17mRA 17000mm±50mm
 - CBL-HFD3igMBSN-18mRA 18000mm±50mm
 - CBL-HFD3igMBSN-19mRA 19000mm±50mm
 - CBL-HFD3igMBSN-20mRA 20000mm±50mm



No	MATERIALS LIST:
1.	CABLE:UL20276 (2x(2x28AWG)+2x(2x28AWG)C) OD:7.0mm PUR JACKET COLOR:RED LILAC
2.	CONNECTOR:USB 3.0 A/M, 9P, BLUE INSULATOR SOLDER TYPE, NICKEL PLATED SHELL
3.	CONNECTOR:USB 3.0 MicroB/M, 10P, BLACK INSULATOR SOLDER TYPE, NICKEL PLATED SHELL
4.	ABS ASSEMBLY HOUSING, BLACK COLOR
5.	SCREW:#4x23.32 M2
6.	PVC MOLDED HOUSING, BLACK COLOR

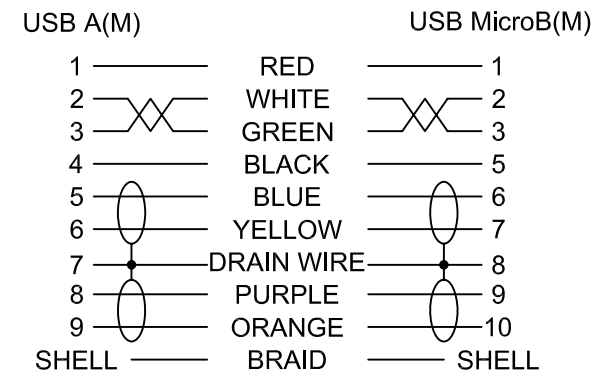
Jargy part no.	Client part no.	Approved	SCALE	UNIT
CBL-HFD3igMBSN-xmRA				mm
Drawing Name		Drawn	Date	REV.
USB 3.0 A to Micro-B Cable M/M				1.0



L:

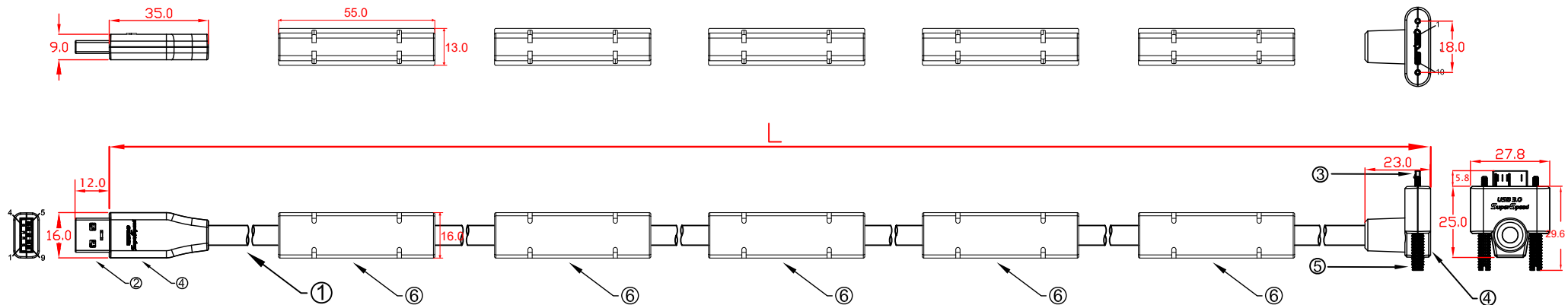
- CBL-HFD3igMBH-16mRA 16000mm±50mm
- CBL-HFD3igMBH-17mRA 17000mm±50mm
- CBL-HFD3igMBH-18mRA 18000mm±50mm
- CBL-HFD3igMBH-19mRA 19000mm±50mm
- CBL-HFD3igMBH-20mRA 20000mm±50mm

PIN OUT



No	MATERIALS LIST:
1.	CABLE:UL20276 (2x(2x28AWG)+2x(2x28AWG)C) OD:7.0mm PUR JACKET COLOR:RED LILAC
2.	CONNECTOR:USB 3.0 A/M, 9P, BLUE INSULATOR SOLDER TYPE, NICKEL PLATED SHELL
3.	CONNECTOR:USB 3.0 MicroB/M, 10P, BLACK INSULATOR SOLDER TYPE, NICKEL PLATED SHELL
4.	PVC MOLDED HOUSING, BLACK COLOR
5.	SCREW:#4x23.32 M2
6.	

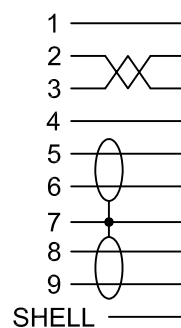
Jargy part no.	Client part no.	Approved	SCALE	UNIT
CBL-HFD3igMBH-xmRA				mm
Drawing Name		Drawn	Date	REV.
USB 3.0 A to Micro-B Cable M/M				1.0



L:

CBL-HFD3igMBS-16mUA	16000mm±50mm
CBL-HFD3igMBS-17mUA	17000mm±50mm
CBL-HFD3igMBS-18mUA	18000mm±50mm
CBL-HFD3igMBS-19mUA	19000mm±50mm
CBL-HFD3igMBS-20mUA	20000mm±50mm

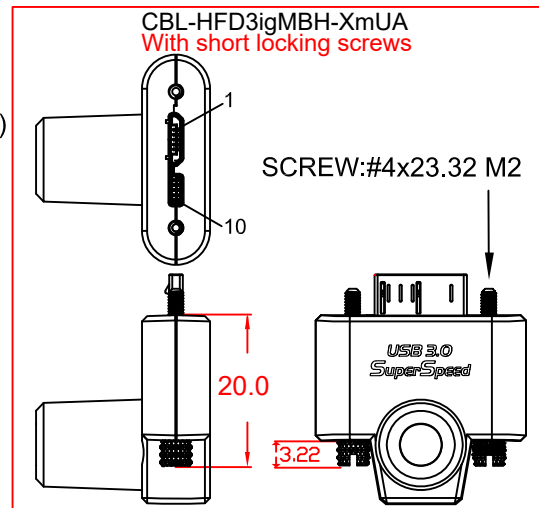
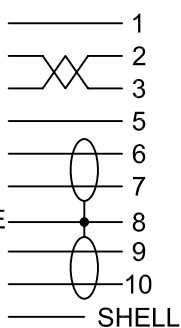
USB A(M)



PIN OUT

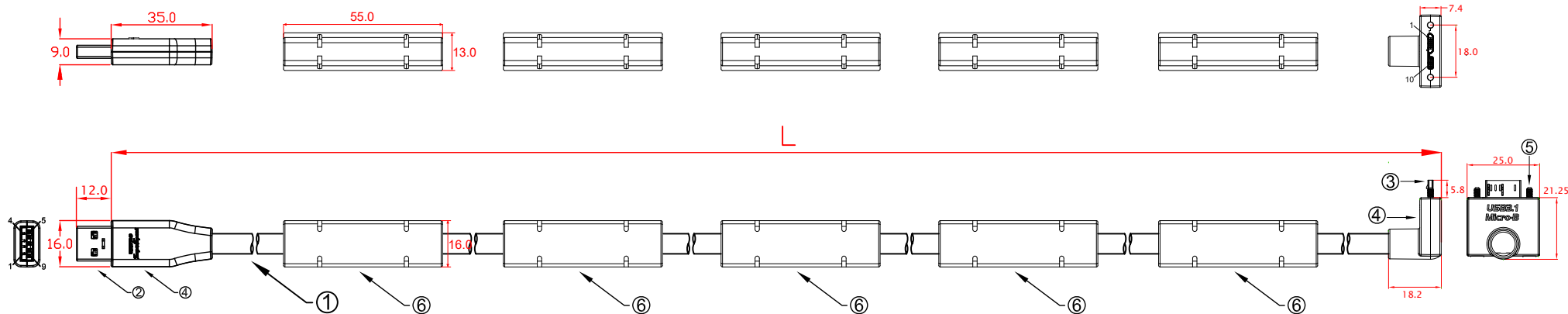


USB MicroB(M)

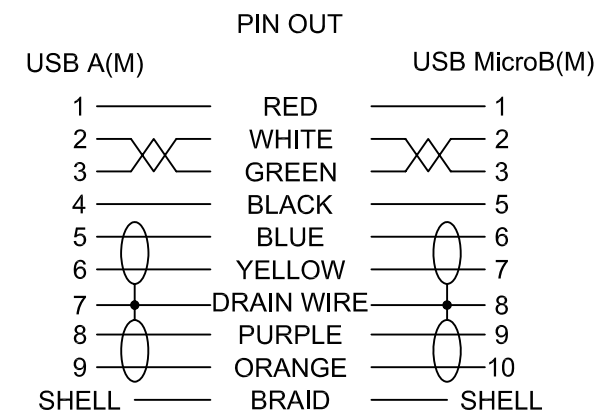


No	MATERIALS LIST:
1.	CABLE:UL20276 (2x(2x28AWG)+2x(2x28AWG)C) OD:7.0mm PUR JACKET COLOR:RED LILAC
2.	CONNECTOR:USB 3.0 A/M, 9P, BLUE INSULATOR SOLDER TYPE, NICKEL PLATED SHELL
3.	CONNECTOR:USB 3.0 MicroB/M, 10P, BLACK INSULATOR SOLDER TYPE, NICKEL PLATED SHELL
4.	ABS ASSEMBLY HOUSING, BLACK COLOR
5.	SCREW:#4x33 M2
6.	PVC MOLDED HOUSING, BLACK COLOR

Jargy part no.	Client part no.	Approved	SCALE	UNIT
CBL-HFD3igMBS-xmUA				mm
Drawing Name		Drawn	Date	REV.
USB 3.0 A to Micro-B Cable M/M				1.0

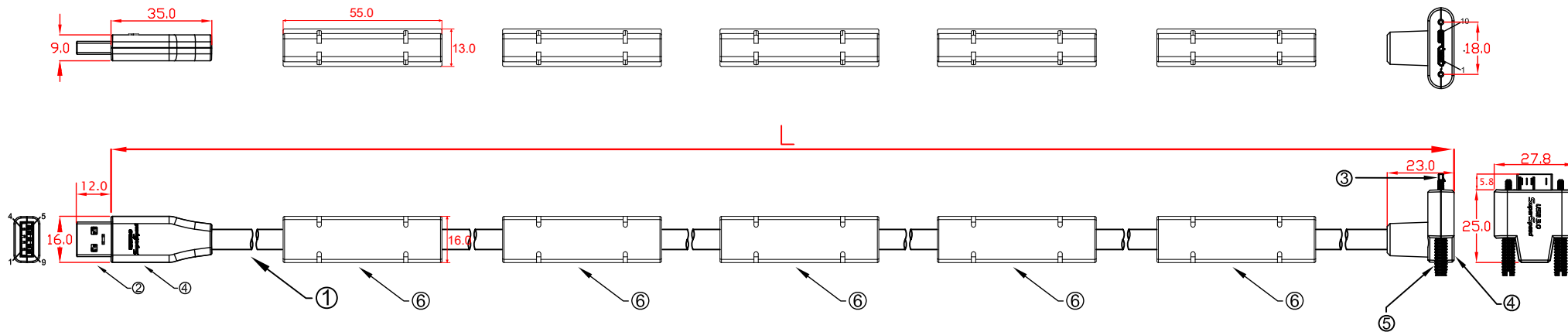


- L:
- CBL-HFD3igMBSN-16mUA 16000mm±50mm
 - CBL-HFD3igMBSN-17mUA 17000mm±50mm
 - CBL-HFD3igMBSN-18mUA 18000mm±50mm
 - CBL-HFD3igMBSN-19mUA 19000mm±50mm
 - CBL-HFD3igMBSN-20mUA 20000mm±50mm



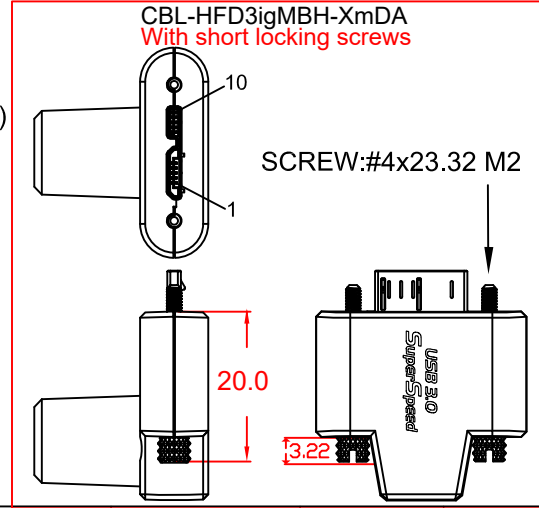
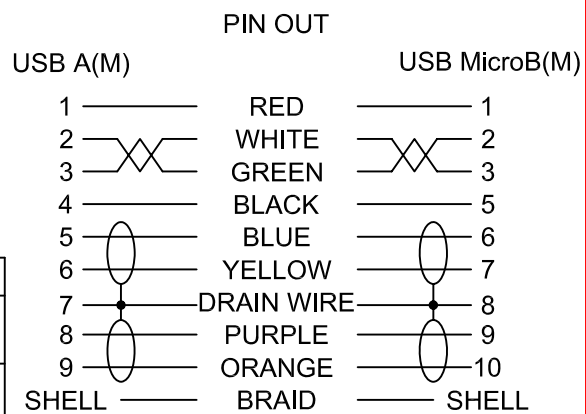
No	MATERIALS LIST:
1.	CABLE:UL20276 (2x(2x28AWG)+2x(2x28AWG)C) OD:7.0mm PUR JACKET COLOR:RED LILAC
2.	CONNECTOR:USB 3.0 A/M, 9P, BLUE INSULATOR SOLDER TYPE, NICKEL PLATED SHELL
3.	CONNECTOR:USB 3.0 MicroB/M, 10P, BLACK INSULATOR SOLDER TYPE, NICKEL PLATED SHELL
4.	ABS ASSEMBLY HOUSING, BLACK COLOR
5.	SCREW:#4x23.32 M2
6.	PVC MOLDED HOUSING, BLACK COLOR

Jargy part no.	Client part no.	Approved	SCALE	UNIT
CBL-HFD3igMBSN-xmUA				mm
Drawing Name		Drawn	Date	REV.
USB 3.0 A to Micro-B Cable M/M				1.0



L:

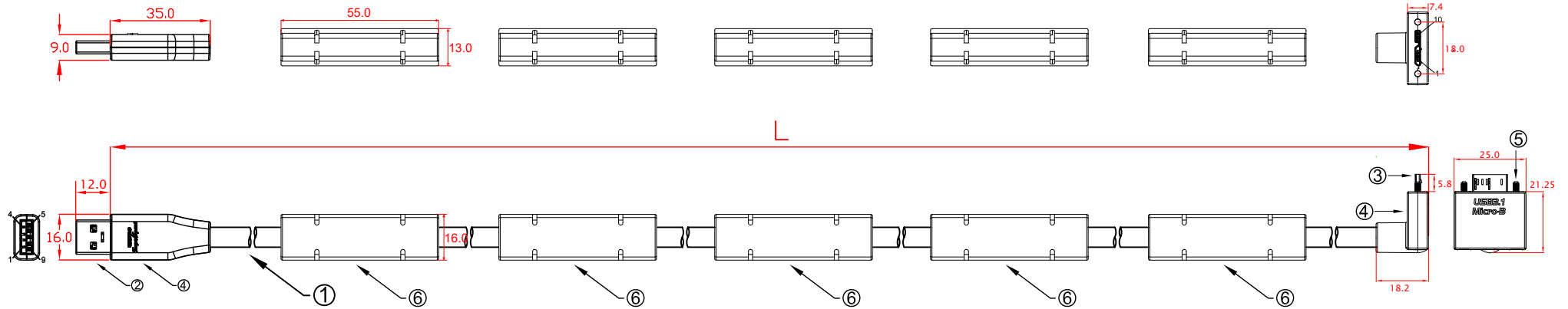
CBL-HFD3igMBS-16mDA	16000mm±50mm
CBL-HFD3igMBS-17mDA	17000mm±50mm
CBL-HFD3igMBS-18mDA	18000mm±50mm
CBL-HFD3igMBS-19mDA	19000mm±50mm
CBL-HFD3igMBS-20mDA	20000mm±50mm



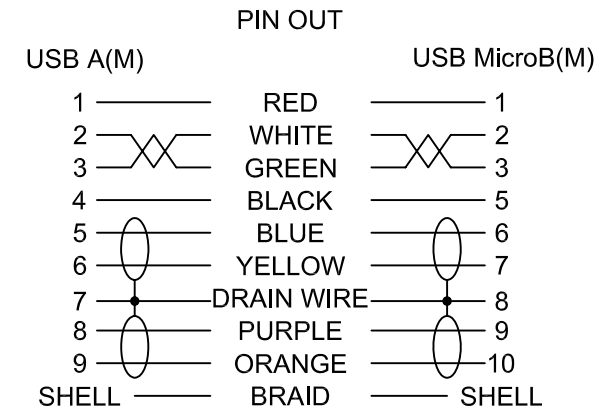
No	MATERIALS LIST:
1.	CABLE:UL20276 (2x(2x28AWG)+2x(2x28AWG)C) OD:7.0mm PUR JACKET COLOR:RED LILAC
2.	CONNECTOR:USB 3.0 A/M, 9P, BLUE INSULATOR SOLDER TYPE, NICKEL PLATED SHELL
3.	CONNECTOR:USB 3.0 MicroB/M, 10P, BLACK INSULATOR SOLDER TYPE, NICKEL PLATED SHELL
4.	ABS ASSEMBLY HOUSING, BLACK COLOR
5.	SCREW:#4x33 M2
6.	PVC MOLDED HOUSING, BLACK COLOR

Jargy part no.	Client part no.	Approved	SCALE	UNIT
CBL-HFD3igMBS-xmDA				mm
Drawing Name		Drawn	Date	REV.
USB 3.0 A to Micro-B Cable M/M				1.0

Mobile Computing **JARGY**



- L:
- CBL-HFD3igMBSN-16mDA 16000mm±50mm
 - CBL-HFD3igMBSN-17mDA 17000mm±50mm
 - CBL-HFD3igMBSN-18mDA 18000mm±50mm
 - CBL-HFD3igMBSN-19mDA 19000mm±50mm
 - CBL-HFD3igMBSN-20mDA 20000mm±50mm



No	MATERIALS LIST:
1.	CABLE:UL20276 (2x(2x28AWG)+2x(2x28AWG)C) OD:7.0mm PUR JACKET COLOR:RED LILAC
2.	CONNECTOR:USB 3.0 A/M, 9P, BLUE INSULATOR SOLDER TYPE, NICKEL PLATED SHELL
3.	CONNECTOR:USB 3.0 MicroB/M, 10P, BLACK INSULATOR SOLDER TYPE, NICKEL PLATED SHELL
4.	ABS ASSEMBLY HOUSING, BLACK COLOR
5.	SCREW:#4x23.32 M2
6.	PVC MOLDED HOUSING, BLACK COLOR

Jargy part no.	Client part no.	Approved	SCALE	UNIT
CBL-HFD3igMBSN-xmDA				mm
Drawing Name		Drawn	Date	REV.
USB 3.0 A to Micro-B Cable M/M				1.0